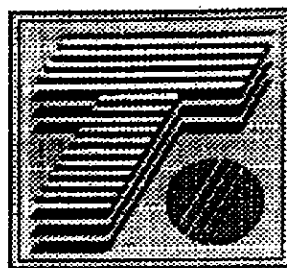


Teknova[®]

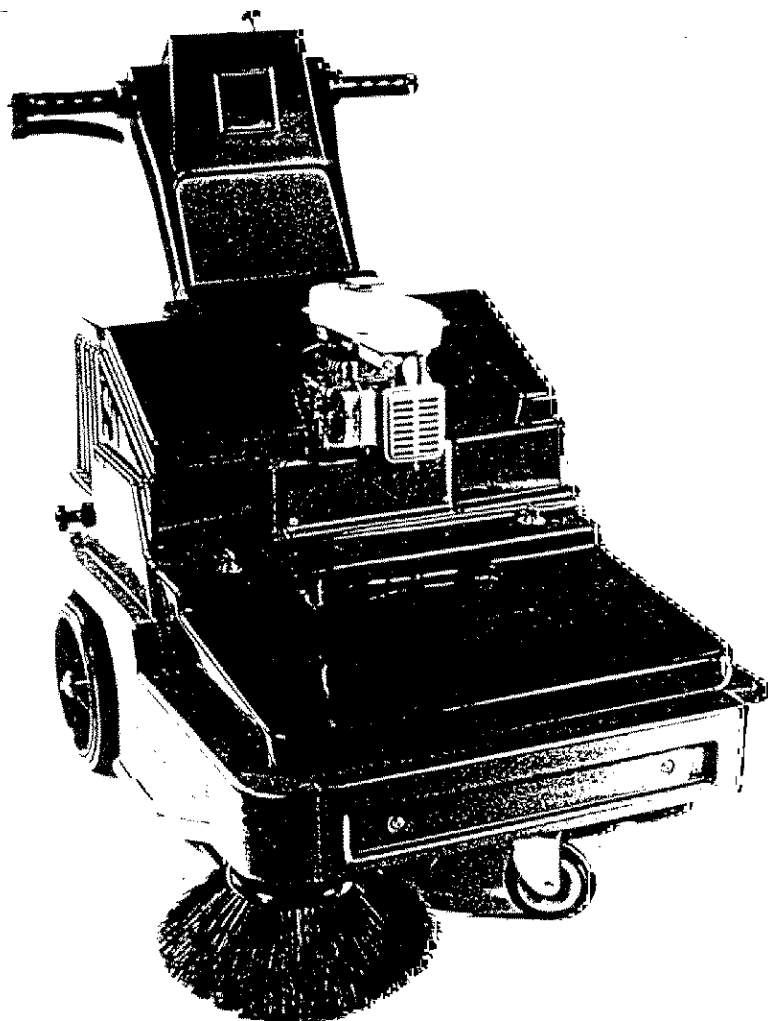


EINGEGANGEN.

01. Aug. 1995

Erl.

PC 85 ST

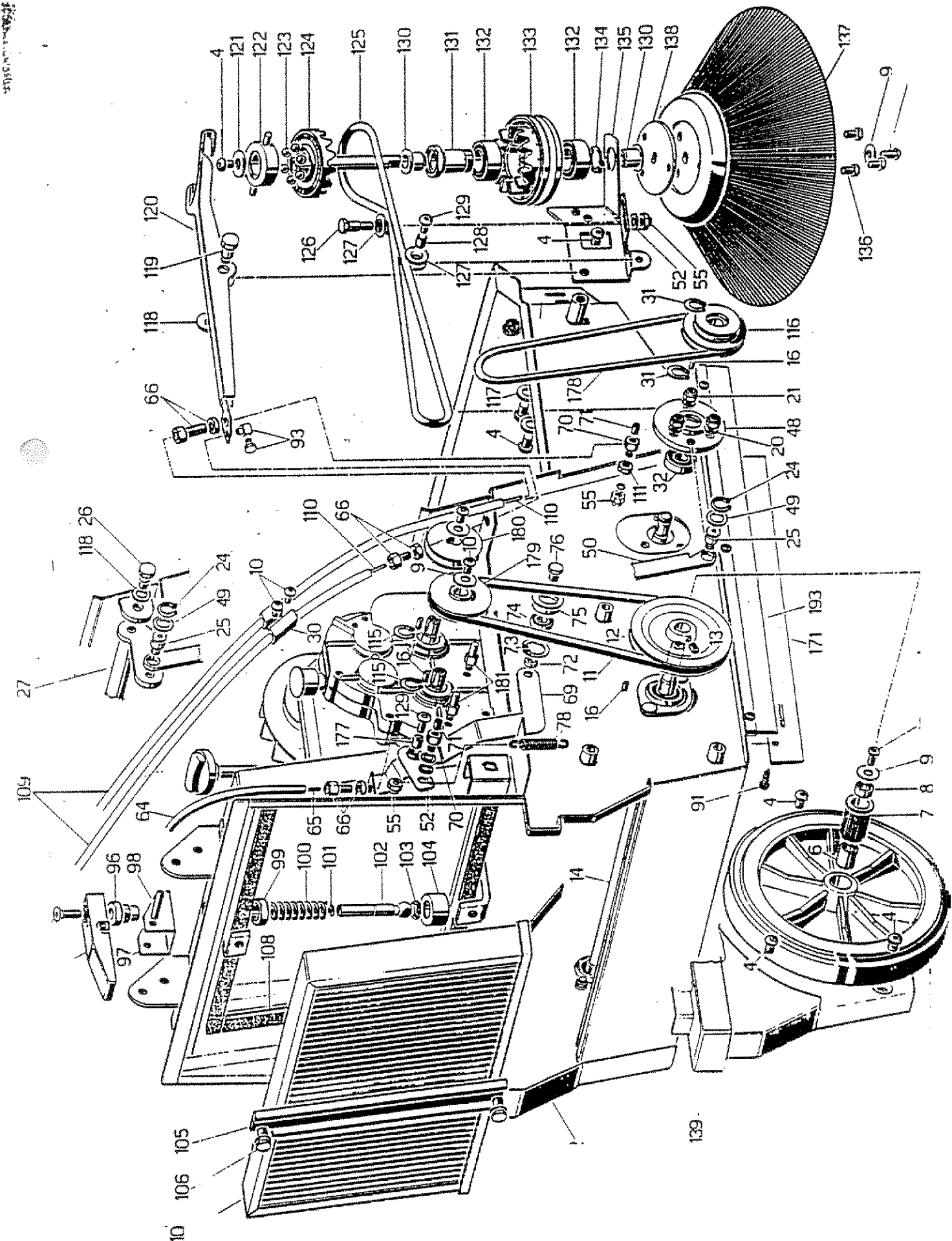


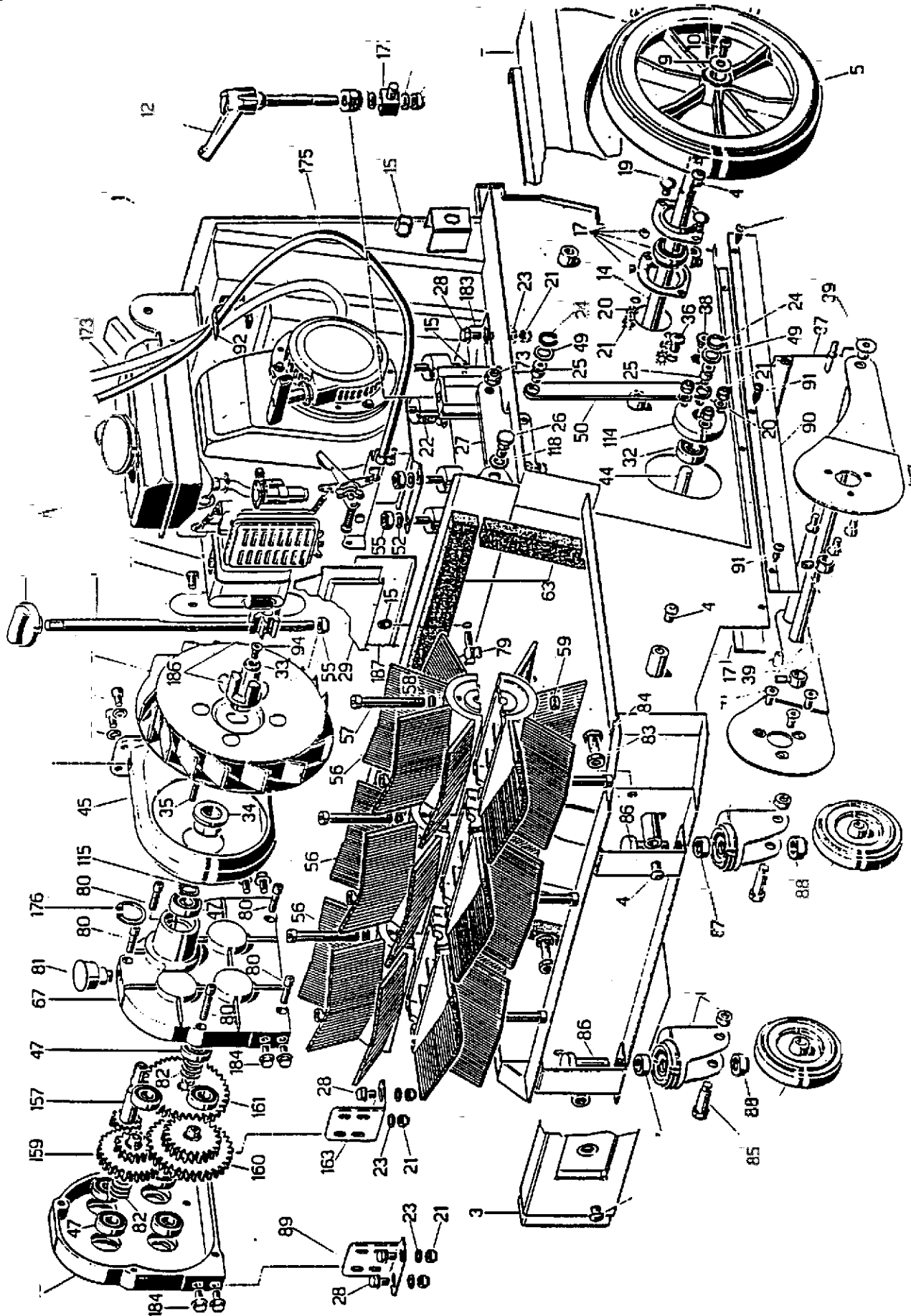
ELENCO PARTI DI RICAMBIO

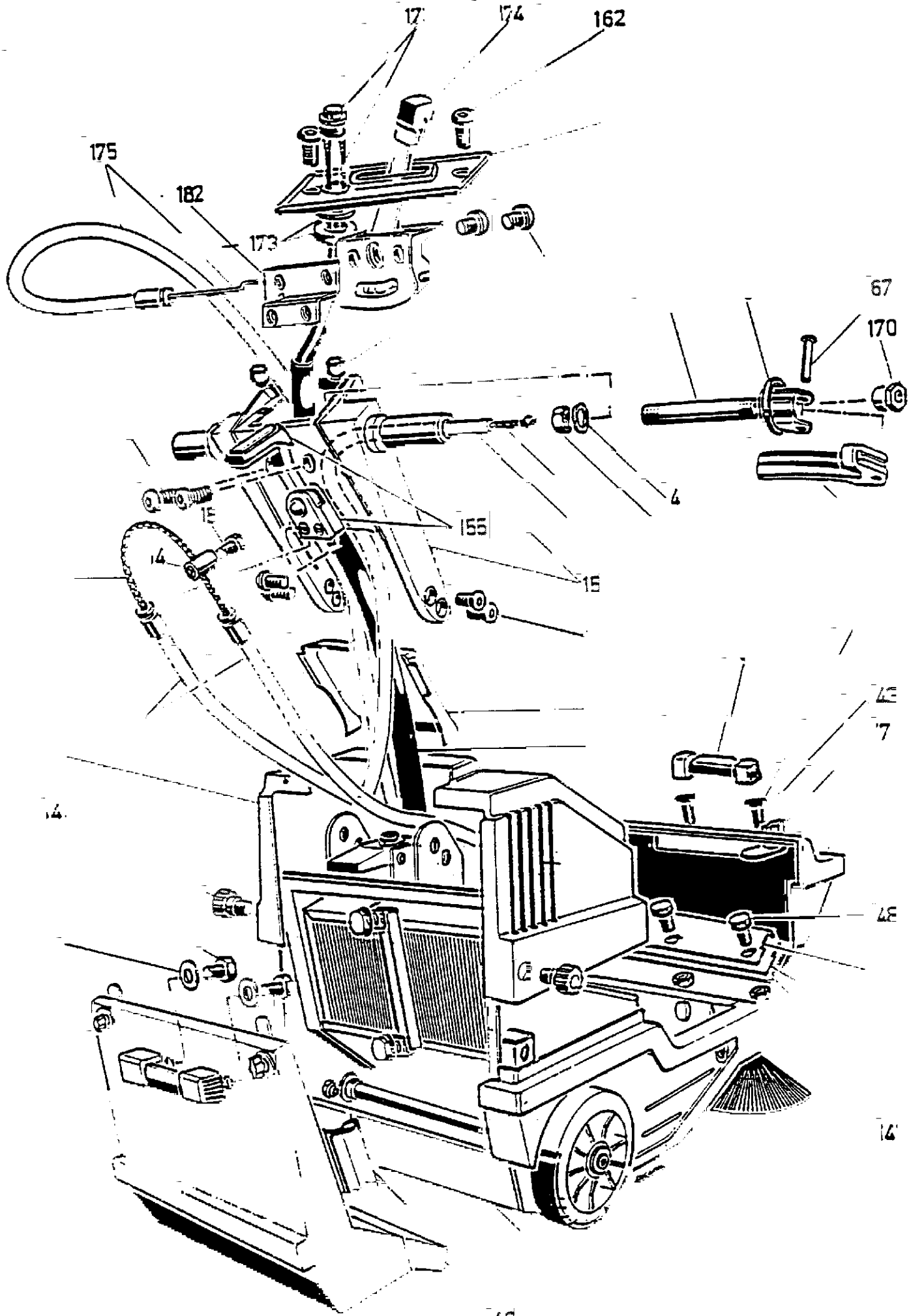
TK 700 ST

PC 85 ST

127	2.250.025	2	Riemenscheibe	Poulie sout. courroie
128	2.110.022	1	Büchse	Douille
129	1.105.231	6	Schraube	Vis
130	2.110.034	2	Büchse	Douille
131	2.110.012	1	Lagerbüchse	Douille porte-paliers
132	1.390.012	2	Lager	Paliers
133	2.100.020	1	Freilaufender Zahnring	Bague dentée folle
134	1.105.417	1	Aussenseeger	Bague d'arrêt externe
135	2.260.024	1	Seitenbürstenhalterung	Support brosse latérale
136	1.105.160	3	Schraube	Vis
137	2.350.020	1	Seitenbürste	Brosse latérale
138	2.250.034	1	Mitnehmerflansch Seitenbürste	Bride de trainement
139	2.120.152	1	Seitengehäuse rechts, grau	Carter latéral droit gris
140	2.120.122	1	Hinterer Schieber, grau	Bac arrière gris
141	2.310.241	1	Kompl. Langhandgriff	Poignée longue complète gris
142	2.320.044/P	2	Hinterer Verschluss	Serrure arrière
143	1.105.361	6	Selbstschneidende Schraube	Vis-taraud
144	1.320.030	2	Handrad	Volant
145	2.120.120	1	Obere haube rot	Capot supérieur rouge
146	2.120.119	1	Vorderer Schieber, rot	Bac avant rouge
147	1.105.121	5	Mutter	Ecrous
148	1.105.002	5	Schraube	Vis
149	2.160.077	1	Schutzabdeckung	Joint bac avant
150	2.160.076	1	Vorderer Schiebersichtung	Caoutchouc bac avant
151	2.150.026	1	Klappen blockierung - Frontschieber	Arrêt p. flap bac avant
152	2.120.074	1	Kabelabdeckung	Carter couvre-câbles poignée grise
153	2.200.011	1	Griff TK	Poignée TK
154	2.110.023	1	Kabelbefestigungsschnelle	Etau ferme-câble
155	1.125.005	1	Antriebshebel - Seitenbürste	Levier commande brosse latérale
156	1.105.004	1	Batterieleuchtmelder	Signaleur batterie
157	2.100.015	1	Zahnwelle Untersetzungsgetriebe	Arbre denté réducteur
158	2.120.117	1	Armaturenbrett	Tableau de bord TKS gris
159	2.100.016	1	Zahnwelle Untersetzungsgetriebe	Arbre denté réducteur
160	2.100.017	1	Zahnwelle Untersetzungsgetriebe	Arbre denté réducteur
161	2.100.018	1	Antriebswelle Getriebebürste	Arbre comande brosse réducteur
162	1.105.236	4	Schraube	Vis
163	2.260.041	1	Getriebehalterung - Links	Support réducteur
164	1.320.048	Mt.1.	Dichtung	Joint tréfilé en caoutchouc
165	2.270.085	1	Handgriffsrohr	Tuyau poignée
166	2.260.030	1	Handgriffslager	Support poignée
167	1.105.912	1	Geböhrte Niete	Rivet percé
168	2.190.007	1	Zughandgriff	Poignée traction
169	1.105.226	1	Mutter	Ecrou
170	2.230.025	1	Handgriffeinsatzzapfen	Goujon élément p. poignée
171	2.160.055	2	Innere Klappe	Flap interne
172	2.110.032	1	Einstellendmass	Cale réglage brosse centrale
173	1.180.013	1	Voll. Haltungsdrucknopf	Bouton d'arrêt complét
174	1.125.011	1	TKS Beschleuniger	Accelérateur TKS
175	1.125.010	1	Beschleunigerssteuerwerk	Trasmission command accelérateur
176	1.105.703	1	Innenseeger	Bague d'arrêt interne
177	2.110.025	1	Nylonbüchse	Douille nylon levier tend. de courroie
178	1.330.010	1	Elastischer Riemen	Courroie élastique
179	2.250.031	1	Antriebsriemenscheibe	Poulie traction sur réducteur
180	2.250.070	1	Riemenscheibe	Poulie mouvement brosse réd.
181	2.230.016	2	Zapfen	Goujon soutien courroie
182	2.260.039	1	Beschleunigerlager	Support accelérateur
183	2.190.012	1	Motorsbefestigungsbügel	Etrier de fixation accelérateur
184	1.105.160	8	Schraube	Vis
185	2.310.097	2	Kompl.kurzer Handgriff, schwarz	Poignée courte noire complète
186	2.155.003	1	Zweinabig Trasco Gelenk	Joint Trasco à deux moyaux
187	2.190.013	1	TKS Gehäusebefestigungsbügel	Douille de fixation Carters
193	2.160.036	1	Seitenklappe, rechts	Flap latéral droit







TK 700S

Rif	Code	N°	Descrizione	Description
1	2.270.091	1	Telaio TK 700 S verniciato 7001	TK 700 frame painted grey
2	2.120.155	1	Carter laterale sinistro Grigio	Grey left side casing
3	2.120.121	1	Carter frontale Grigio	Grey front casing
4	1.105.230	12	Vite TBCE ISO 7380 M8x10	Screw
5	1.250.009	2	Ruota Ø250x45 foro 25 GN	Wheel
6	1.390.016	2	Cuscinetto HFL 1426 a rullini	Roller bearing
7	2.110.002	2	Boccola per cuscinetti ruota	Bushing for wheel bearings
8	1.390.015	2	Cuscinetto HK 1412 a rullini	Roller bearing
9	1.105.325	11	Rondella UNI 6593 6x24x2	Washer
10	1.105.234	9	Vite TBCE ISO 7380 M6x10	Screw
11	1.330.008	1	Cinghia Z 29,5	Belt
12	2.250.004	1	Puleggia trazione Ø 112 H. 18	Drive pulley
13	1.105.481	1	Grano UNI 5927 M6x10	Dowel
14	2.100.021	1	Albero trazione Ø17 x 886,2	Drive shaft
15	1.105.903	7	Inserito filettato M8	Threaded insert
16	1.105.461	4	Chiavetta UNI 6604 5x5x15	Key
17	1.390.017	2	Supporto SBPFL 203	Support
18	1.340.009	1	Motore HONDA G100 HP 2,2	HONDA Engine G100 HP 2,2
19	1.105.222	4	Vite TTDE UNI 5732 M6x16	Screw
20	1.105.303	14	Rondella UNI 6592 6x12	Washer
21	1.105.133	18	Dado autobloccante DIN 985 M6	Self-locking nut
22	1.370.005	4	Antivibrante Ø30x20 M8x16	Vibration damper
23	1.105.324	8	Rondella UNI 6593 M6x18x1,5	Washer
24	1.105.420	4	Seeger esterno DIN 471 Ø12.	Outer snap-ring
25	2.230.029	4	Perno fissaggio supporto regolaz.spazzola	Brush adjustment support's fixing pin
26	2.290.008	2	Perno CH 17 M8 fissaggio tendicinghia	Belt tightening pin
27	2.110.035	1	Braccio regolazione altezza spazzola	Brush height adjust. arm
28	1.105.042	8	Vite TE UNI 5739 M6x16	Screw
29	2.120.118	1	Chiusura cofano TKS Grigio	TKS grey cover lock
30	2.150.025	1	Blocchetto ferma guaina	Sheath retainer block
31	1.105.411	2	Seeger esterno DIN 471 Ø 17	Outer snap ring
32	1.390.018	2	Cuscinetto 6003 2RS	Bearing
33	2.150.024	1	Flangia di bloccaggio giunto Trasco	Trasco joint blocking flange
34	2.110.024	1	Boccola Ø40 H 30 per fissaggio ventola	Fan fixing bushing
35	1.105.467	1	Chiavetta UNI 6604 5x5x20	Key
36	1.105.232	2	Vite TBCE ISO 7380 M10x16	Screw
37	2.160.062	1	Flap posteriore	Rear flap
38	2.290.007	2	Perno Ø 15 H 25 bilancere	Rocker pin
39	2.110.016	2	Boccola bilancere Ø18 H 20	Rocker bushing
40	2.110.029	1	Bilancere TK 700	TK 700 Rocker
41	1.105.503	6	Vite TSCE UNI 5933 M6x20	Screw
42	1.105.490	2	Grano UNI 5923 M6x5	Dowel
43	2.130.007	2	Distanziale per albero spazzola	Spacer for the brush shaft
44	2.100.014	1	Albero spazzola centrale	Main brush shaft
45	2.120.127	1	Coclea aspirazione	Suction screw
46	1.105.508	4	Vite TCCE UNI 5931 M6x10	Screw
47	1.390.009	8	Cuscinetto 6202 2RS	Bearings
48	2.260.046	1	Supporto Ø 80 destro	Right support
49	1.105.306	5	Rondella UNI 6592 12x24	Washer
50	2.190.014	2	Staffa collegamento bilanceri	Rocker connection bracket
51	2.230.014	1	Albero per valvola a farfalla	Shaft for butterfly valves
52	1.105.304	9	Rondella UNI 6592 8x17	Washer
53	1.320.033	1	Pomolo di regolazione	Adjustment knob
54	2.290.006	1	Valvola a farfalla per coclea	Butterfly valve for the screw
55	1.105.134	9	Dado autobloccante DIN 985 M8	Self-locking nut
56	2.350.017	1	Spazzola centrale a moduli	Main brush module type
57	1.105.551	6	Vite TCCE UNI 5931 M5x70	Screw
58	1.105.302	6	Rondella UNI 6592 5x10	Washer
59	1.105.122	6	Dado UNI 5588 M5	Nut
60	1.105.512	2	Vite tcce UNI 5931 M5x10	Screw
61	1.105.901	2	Inserito filettato M6	Threaded insert
62	1.290.009	1	Ventola in plastica	Plastic fan

63	2.160.086	1	Kit mousse adesiva 30x15 cassetto anter.	Adhes.mousse kit for the front drawer
64	2.125.013	1	Guaina per cavo trazione	Drive cable sheath
65	1.125.015	1	Cavo trazione Ø 2,5 testa sferica	Drive cable
66	1.105.229	3	Registro tornito Ø 7	Turned adjuster
67	2.195.001	1	Corpo riduttore	Reduction gear body
68	2.195.002	1	Coperchio riduttore	Reduction gear cover
69	2.190.011	1	Staffa tendicinghia TKS	TKS bracket for chain tightener
70	2.290.004	2	Vite CH17 H28 fissaggio filo	Wire fixing screw
71	1.105.485	2	Grano UNI 5923 M5x6	Dowel
72	2.130.001	1	Distanziale Ø12 H3,5	Spacer
73	1.105.701	1	Seeger interno DIN 472 Ø22	Inner snap ring
74	1.390.005	1	Cuscinetto 608 2RS	Bearing
75	2.250.001	1	Rullo tendicinghia	Belt tightening roller
76	2.290.001	1	Vite per bloccaggio rullo tendicinghia	Belt tightening roller fixing screw
77	2.320.044	2	Serratura anteriore TK	TK front lock
78	2.205.005	1	Molla trazione	Traction spring
79	1.320.062	1	Galletto Ø30 M6x20	
80	1.105.510	5	Vite TTCE UNI 5931 M6x35	Screw
81	1.320.004	1	Ingrassatore Stauff	Stauff greaser
82	1.105.952	8	Spessore 15x21x0,5	Shim
83	1.105.123	2	Dadi UNI 5588 M6	Nut
84	1.370.003	2	Piedino 20x9 M6x15	Foot
85	1.250.067	2	Ruota Ø100 supporto girevole	Rotary support wheel
86	1.105.094	2	Vite TE UNI 5739 M12x40	Screw
87	1.105.126	2	Dado UNI 5588 M12	Nut
88	1.105.136	2	Dado autobloccante DIN 985 M12	Self-locking nut
89	2.260.047	1	Supporto riduttore destro	Right support for the reduction gear
90	2.160.060	1	Flap laterale sinistro	Left side flap
91	1.105.356	16	Vite autofilettante TC UNI 6594 3,5x9,5	Self tapping screw
92	1.105.015	1	Fascetta fissaggio guaina	Screw
93	1.125.004	1	Morsetto Ø7	Clamp
94	1.105.502	1	Vite TSCE UNI 5933 M6x16	Screw
95	2.190.006	1	Leva scuotifiltro	Filtershaker lever
96	2.165.005	1	Guida scuotifiltro CH24 H27	Filtershaker guide
97	2.260.016	1	Supporto leva scuotifiltro	Support for the filetrshaker
98	1.105.913	1	Rivetto forato M6x48	Drilled rivet
99	1.105.221	1	Dado UNI 5589 M18	Nut
100	2.205.006	1	Molla compressione scuotifiltro	Filtershaker compression spring
101	1.160.049	1	Guarnizione OR 106	O-ring
102	2.230.018	1	Perno Ø15 H78 a sfera	Ball pin
103	1.105.702	1	Seeger interno DIN 472 Ø16	Inner snap ring
104	2.205.007	1	Mazza snodata	Articulated bar
105	2.260.027	1	Staffa fissaggio filtro	Filter fixing bracket
106	1.105.063	2	Vite TE UNI 5739 M8x20	Screw
107	2.360.003	1	Filtro a pannello	Panel filter
108	2.160.087	1	Kit mousse adesiva 15x5 filtro	Adhesive mousse kit for the filter
109	2.310.134	1	Coppia guaina +cavo alza spazzola	Sheath + brush lifting cable
110	2.125.018	1	Cavo Ø1,9 lung.2450	Cable
111	1.105.124	1	Dado UNI 5588 M8	Nut
112	2.200.031	1	Maniglia regolazione spazzola centrale	Centre brush adjustment handle
113	1.110.020	1	Ghiera zigrinata Ø25 M12	Knurled ring nut
114	2.260.045	1	Supporto Ø80 sinistro	Left support
115	1.105.405	3	Seeger esterno DIN 471 Ø15	Outer snap ring
116	2.250.069	1	Puleggia 2 gole Ø70	2 - race pulley
117	1.105.126	2	Rondella UNI 6593 8x24x2,5	Washer
118	1.105.305	3	Rondella UNI 6592 10x21	Washer
119	2.230.002	1	Perno CH17 H34 leva spazzola laterale	Pin for the side brush lever
120	2.190.004	1	Leva sollevamento spazzola laterale	Side brush lifting lever
121	1.105.327	1	Rondella UNI 6593 8x32x2,5	Washer
122	100.012	1	Anello cuscinetto spazzola laterale	Ring for the side brush bearing
123	1.260.029	6	Sfere 11/32"	Balls
124	2.100.019	1	Albero dentato movimento spazzola later.	Toothed shaft for driving the side brush
125	1.330.009	1	Cinghia tonda Ø8 verde	Round green belt
126	2.230.020	1	Perno CH13 H34 rullo tendicinghia	Pin for the the belt tightening roller pin

127	2.250.025	2	Puleggia Ø25 sost.cinghia	Belt support pulley
128	2.110.022	1	Boccola Ø10 H12	Bushing
129	1.105.231	6	Vite TBCE ISO 7380 M8x22	Screw
130	2.110.034	2	Boccola Ø20x15 TK	Bushing
131	2.110.012	1	Boccola portacuscinetti	bushing for bearings
132	1.390.012	2	Cuscinetto 6005 2RS	Bearing
133	2.100.020	1	Anello dentato folle	Idle toothed ring
134	1.105.417	1	Seeger esterno DIN 471 Ø24	Outer snap ring
135	2.260.024	1	Supporto spazzola laterale	Side brush support
136	1.105.160	3	Vite TE FR M6x10	Screw
137	2.350.020	1	Spazzola laterale	Side brush
138	2.250.034	1	Flangia trascinalimento spazzola laterale	Side brush dragging flange
139	2.120.152	1	Carter laterale destro Grigio	Right grey side casing
140	2.120.122	1	Cassetto posteriore Grigio	Rear grey drawer
141	2.310.241	1	Maniglia completa lunga nera	Complete black long handle
142	2.320.044/P	2	Serratura posteriore	Rear lock
143	1.105.361	6	Vite autofilettante TE FR 6,3x19	Self-tapping screw
144	1.320.030	2	Volantino Ø40 M8x15	Handwheel
145	2.120.120	1	Cofano superiore Rosso	Red upper bonnet
146	2.120.119	1	Cassetto anteriore Rosso	Front red drawer
147	1.105.121	5	Dadi UNI 5588 M4	Nut
148	1.105.002	5	Vite TE UNI 5739 M4x16	Screw
149	2.160.077	1	Para cassetto anteriore	Front drawer guard
150	2.160.076	1	Gomma cassetto anteriore	Front drawer gasket
151	2.150.026	1	Ferma flap cassetto anteriore	Flap retainer for the front drawer
152	2.120.074	1	Carter copricavi manico Grigio	Grey cable casing for the handle
153	2.200.011	1	Manico TK	TK handle
154	2.110.023	1	Morsetto fermacavo Ø8 h8	Cable retaining clamp
155	1.125.005	1	Leva comando spazzola laterale	Side brush control lever
156	1.105.004	1	Vite TE UNI 5739 M4x8	Battery indicator light
157	2.100.015	1	Albero dentato Ø26 riduttore	Reduction unit toothed shaft
158	2.120.117	1	Cruscotto TKS Grigio	Grey dashboard
159	2.100.016	1	Albero dentato Ø35 riduttore	Reduction unit toothed shaft
160	2.100.017	1	Albero dentato Ø45 riduttore	Reduction unit toothed shaft
161	2.100.018	1	Albero comando spazzola riduttore	Reduction brush drive shaft
162	1.105.236	4	Vite TBCE ISO 7380 M6x16	Screw
163	2.260.041	1	Supporto riduttore sinistro	Left reduction unit support
164	1.320.048	Mt.1.0	Guarnizione trafilato gomma	Rubber gasket
165	2.270.085	1	Tubo maniglia manico	Tube for handle
166	2.260.030	1	Supporto maniglia	Handle support
167	1.105.912	1	Rivetto forato M6x32	Drilled rivet
168	2.190.007	1	Maniglia trazione	Traction handle
169	1.105.226	1	Dado UNI 5588 M12x1.25	Nut
170	2.230.025	1	Perno inserto maniglia	Handle pin
171	2.160.055	2	Flap interno	Inner flap
172	2.110.032	1	Blocchetto regolazione spazzola centrale	Main brush regulation block
173	1.180.013	1	Pulsante d'arresto completo	Complete stopping button
174	1.125.011	1	Acceleratore TKS	TKS Accelerator
175	1.125.010	1	Trasmissione comando acceleratore	Accelerator command transmission
176	1.105.703	1	Seeger interno DIN 472 Ø35	Inner snap ring
177	2.110.025	1	Boccola nylon leva tendicinghia	Nylon bushing for the belt tightening lever
178	1.330.010	1	Cinghia elastica Ø10 sviluppo 710	Flexible belt
179	2.250.031	1	Puleggia trazione su riduttore	Drive pulley on the reduction unit
180	2.250.070	1	Puleggia movimento spazzola ridutt.TK700	TK700 reduction unit brush drive pulley
181	2.230.016	2	Perno CH10 H43,7 sostegno cinghia	Belt support pin
182	2.260.039	1	Supporto acceleratore	Accelerator support
183	2.190.012	1	Staffa fissaggio motore	Motor fixing bracket
184	1.105.160	8	Vite TE FR M6x10	Screw
185	2.310.097	2	Maniglia TK corta nera completa	Complete black short handle
186	2.155.003	1	Giunto Trasco 19-24 2 mozzi	2-Hubbed Trasco Joint
187	2.190.013	1	Staffa fissaggio carter TKS	TKS Casing fing bracket
193	2.160.036	1	Flap laterale destro	Right side flap

Rif	Code	N°	Beschreibung	Description
1	2.270.091	1	Rahmen - TK 700 - Grau lackiert	Châssis TK700 E verni gris
2	2.120.155	1	Seitengehäuse links Grau lackiert	Carter latéral gauche gris
3	2.120.121	1	Frontgehäuse Grau lackiert	Carter avant gris
4	1.105.230	12	Schraube	Vis
5	1.250.009	2	Rad	Roue
6	1.390.016	2	Nadellager	Palier
7	2.110.002	2	Büchse für Radlagerinn	Douille
8	1.390.015	2	Nadellager	Palier
9	1.105.325	11	Unterlegscheibe	Rondelle
10	1.105.234	9	Schraube	Vis
11	1.330.008	1	Riemen	Courroie
12	2.250.004	1	Antriebsriemenscheibe	Poulie
13	1.105.481	1	Zapfen	Ergot
14	2.100.021	1	Antriebswelle	Arbre
15	1.105.903	7	Gewingeeinsatz	Elément
16	1.105.461	4	Keil	Clé
17	1.390.017	2	Stütze	Support
18	1.340.009	1	G100 2.2 HP HONDA Motor	Moteur HONDA 2.2 HP G100
19	1.105.222	4	Schraube	Vis
20	1.105.303	14	Unterlegscheibe	Rondelle
21	1.105.133	18	Selbsspernmutter	Ecrou autobloquant
22	1.370.005	4	Schwingungsdämpfer	Antivibrations
23	1.105.324	8	Unterlegscheibe	Rondelle
24	1.105.420	4	Aussenseeger	Bague d'arrêt externe
25	2.230.029	4	Befestigungzapfen für den Bürsteneinstellager	Goujon fixation support régl.brosse
26	2.290.008	2	Zapfen Riemenspannerbefestigung	Goujon fixation tendeur de courroie
27	2.110.035	1	Arm zur Bürstenhöhen einstellung	Bras
28	1.105.042	8	Schraube	Vis
29	2.120.118	1	Batterienbehälter, Grau	Conteneur batterie gris
30	2.150.025	1	Mantelbefestigungsendmass	Cale ferme-gaine
31	1.105.411	2	Aussenseeger	Bague d'arrêt externe
32	1.390.018	2	Lager	Palier
33	2.150.024	1	Flansch	Bride de blocage joint Trasco
34	2.110.024	1	Büchse	Douille pour fixage ventilateur
35	1.105.467	1	Keil	Cle
36	1.105.232	2	Schraube	Vis
37	2.160.062	1	Hintere flapklappe	Flap arrière
38	2.290.007	2	Zapfen	Goujon culbuteur
39	2.110.016	2	Kipphebelbüchse	Douille culbuteur
40	2.110.029	1	Kipphebel	Culbuteur TK 700
41	1.105.503	6	Schraube	Vis
42	1.105.490	2	Zapfen	Ergot
43	2.130.007	2	Abstandstück	Entretoise pour arbre brosse
44	2.100.014	1	Mittelbürstenwelle	Arbre brosse centrale
45	2.120.127	1	Absaugschnecke	Vis d'Archimede d'aspiration
46	1.105.508	4	Schraube	Vis
47	1.390.009	8	Lager	Palier
48	2.260.046	1	Stütze rechts	Support droit
49	1.105.306	5	Scheibe	Rondelle
50	2.190.014	2	Kipphebelverbindungsbügel	Etrier de liaison culbuteurs
51	2.230.014	1	Welle f. Drossenventil	Arbre pour vanne à papillon
52	1.105.304	9	Scheibe	Rondelle
53	1.320.033	1	Einstellkugel	Pommeau de réglage
54	2.290.006	1	Drosselventil für Schnecke	Vanne à papillon pour vis d'Archimede
55	1.105.134	9	Selbstsperrmutter	Ecrou autobloquant
56	2.350.017	1	Mittlere Modulbürste	Brosse centrale à modules
57	1.105.551	6	Schraube	Vis
58	1.105.302	6	Scheibe	Rondelle
59	1.105.122	6	Mutter	Ecrou
60	1.105.512	2	Schraube	Vis
61	1.105.901	2	Gewindeinsatz	Element taraudé
62	1.290.009	1	Plastikflügelrad	Ventilateur en plastique

63	2.160.086	1	Satz Schaumgummikleber	Kit mousse adhésive bac avant
64	2.125.013	1	Antriebskabelmantel	Gainé pour câble traction
65	1.125.015	1	Antriebskabel Kugelkopf	Câble traction
66	1.105.229	3	Gedrehtes Register	Barre de réglage
67	2.195.001	1	Untersetzungsgetriebenkörper	Corps reducteur
68	2.195.002	1	Getriebesdeckel	Couvercle reducteur
69	2.190.011	1	Riemenspannbügel	Etrier tendeur de courroie TKS
70	2.290.004	2	Schraube	Vis fixation fil
71	1.105.485	2	Zapfen	Ergot
72	2.130.001	1	Abstandstück	Entretoise
73	1.105.701	1	Innenseeger	Bague d'arrêt interne
74	1.390.005	1	Lager	Palier
75	2.250.001	1	Riemenspannrolle	Rouleau tendeur de courroie
76	2.290.001	1	Befestigungsschraube	Vis de bloquage rouleau tend. de courroie
77	2.320.044	2	Frontverschluss TK	TK Serrure avant
78	2.205.005	1	Zugfeder	Ressort traction
79	1.320.062	1		
80	1.105.510	5	Schraube	Vis
81	1.320.004	1	Stauff Schmiernippel	Graisseur stauff
82	1.105.952	8	Zwischenlegscheibe	Etalon
83	1.105.123	2	Mutter	Ecrous
84	1.370.003	2	Fuß	Pied
85	1.250.067	2	Rad	Roue
86	1.105.094	2	Schraube	Vis
87	1.105.126	2	Mutter	Ecrou
88	1.105.136	2	Selbstspannmutter	Ecrou autobloquant
89	2.260.047	1	Untersetzungsgetriebenthalter rechts	Sopport reducteur droit
90	2.160.060	1	Linke Seitenklappe	Flap latéral gauche
91	1.105.356	16	Selbstschneidende Schraube	Vis-taraud
92	1.105.015	1	Schraube	Vis
93	1.125.004	1	Backe	Etau
94	1.105.502	1	Schraube	Vis
95	2.190.006	1	Filterrüttlerhebel	Levier
96	2.165.005	1	Filterrüttlerführung	Guide secouement filtre
97	2.260.016	1	Lager	Support levier secouement filtre
98	1.105.913	1	Gebohrte Niete	Rivet percé
99	1.105.221	1	Mutter	Ecrou
100	2.205.006	1	Druckfeder	Ressort compression secouement filtre
101	1.160.049	1	Dichtung OR	Joint OR
102	2.230.018	1	Kugeln	Goujon à bille
103	1.105.702	1	Innenseeger	Bague d'arrêt interne
104	2.205.007	1	Gelenkschlägel	Barre articulée
105	2.260.027	1	Filterbefestigungsbügel	Etrier de fixation filtre
106	1.105.063	2	Schraube	Vis
107	2.360.003	1	Tafelfilter	Filtre à panneau
108	2.160.087	1	Satz Klebeschäumgummi Filter	Kit mousse adhésive filtre
109	2.310.134	1	Paar Mantel + Büstenhebekabel	Couple gainé + câble leve-brosse
110	2.125.018	1	Kabel	Câble
111	1.105.124	1	Mutter	Ecrou
112	2.200.031	1	Handgriff zur Mittenbürsteneinstellung	Poignée de réglage brosse centrale
113	1.110.020	1	Rändelnutmutter	Bague moletée
114	2.260.045	1	Halterung links	Support gauche
115	1.105.405	3	Aussenseeger	Bague d'arrêt externe
116	2.250.069	1	Zweinutigeriemenscheibe	Poulie à 2 cannelures
117	1.105.326	2	Scheibe	Rondelle
118	1.105.305	3	Scheibe	Rondelle
119	2.230.002	1	Zapfen	Goujon levier brosse latérale
120	2.190.004	1	Seitliche Bürstenhubhebel	Levier soulèvement brosse latérale
121	1.105.327	1	Scheibe	Rondelle
122	2.100.012	1	Lagerring seitliche Bürste	Bague palier brosse latérale
123	1.260.029	6	Kugeln	Billes
124	2.100.019	1	Zahnwelle	Arbre dent mouvement brosse latérale
125	1.330.009	1	Rundriemen	Courroie ronde verte
126	2.230.020	1	Zapfen Riemenspannrolle	Goujon rouleau tendeur de courroie

ATTENZIONE

ATTENTION

ACHTUNG

ATTENTION

- All'ordine delle parti di ricambio fare riferimento sempre al numero di **codice**.

When ordering spareparts, always refer to the **codenumber**.

À la commande des pieces detachés, toujours se référer au numéro de **code**.

- An der bestellung die ersatzteile, bezieen sie sich immer an der **codenummer**.

• I nostri prodotti sono costantemente modificati per adeguarsi ai nuovi standard tecnici, per cui ci riserviamo il diritto di modificare i dati senza preavviso alcuno.

• Our products are constantly modified to fit to the new technical standard, hence we keep the right to modify datas without any previous notice.

• Nos produits sont constamment modifiés pour se conformer aux nouveaux standard techniques, donc nous nous reservons le droit de modifier le donnés sans aucun préavis.

• Um den neuen technischen Standarden anzupassen, sind unseren Produkten ständig geändert. Wir uns die Rechten den technischen daten ohne vorherige Benachrichtigung zu Ändern.