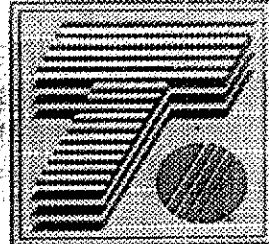
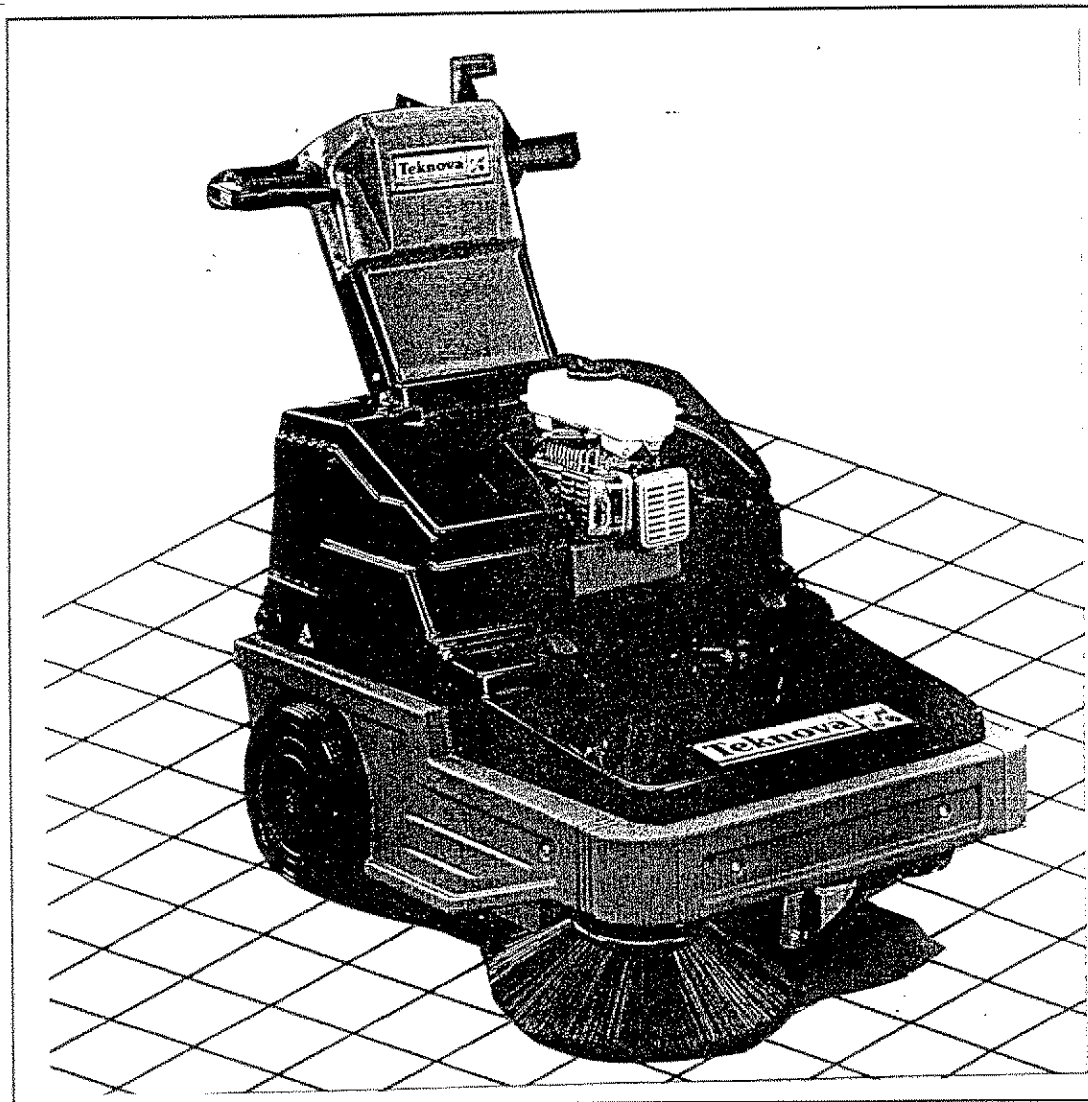


Teknova®



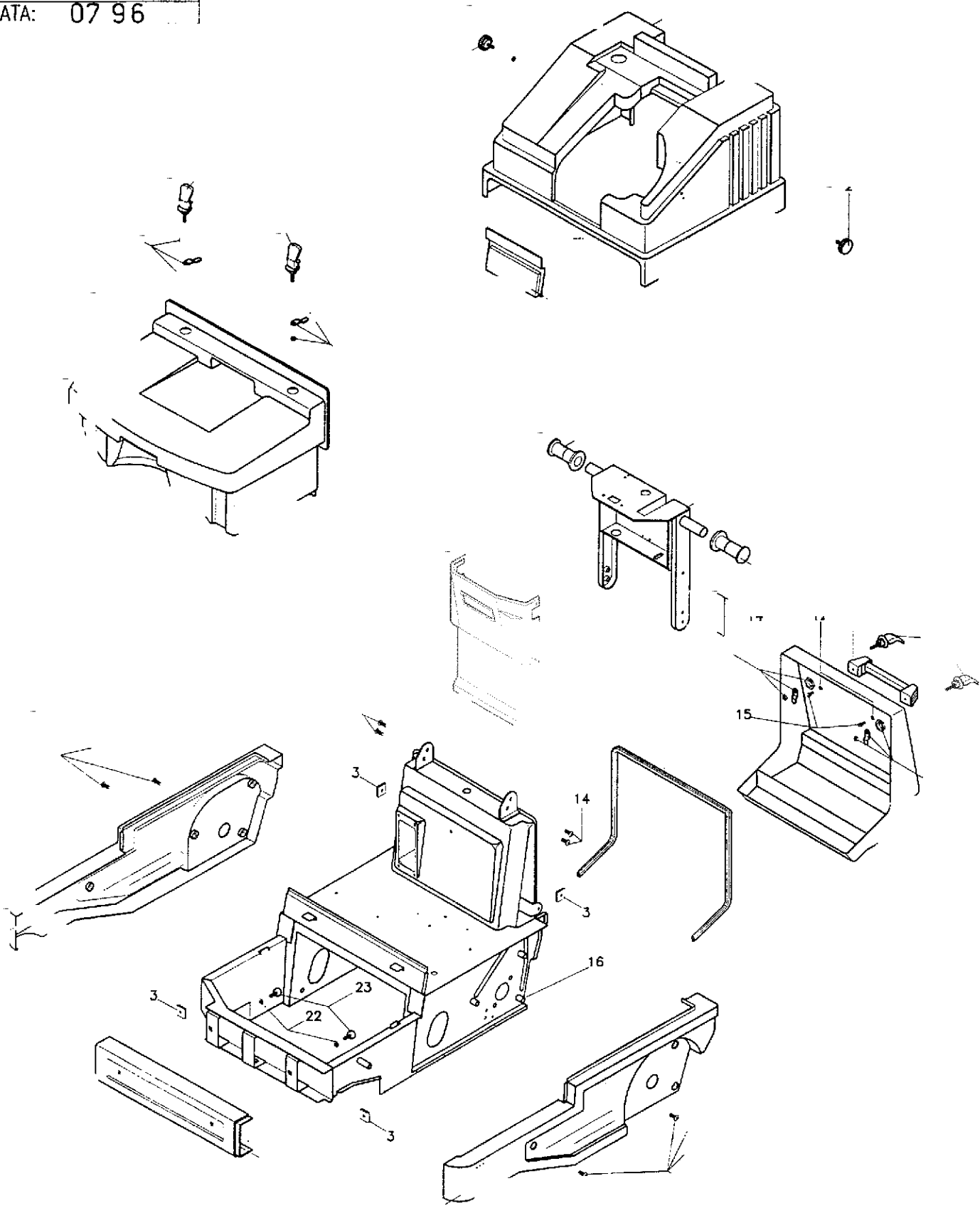
TK 500 ST



PARTI DI RICAMBIO
ERSATZTEILE
SPARE PARTS
PIECES DETACHÉS
RECAMBIOS

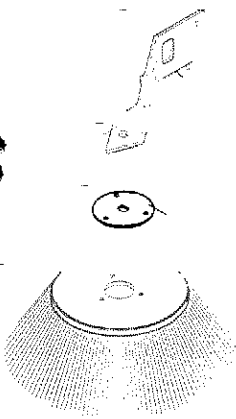
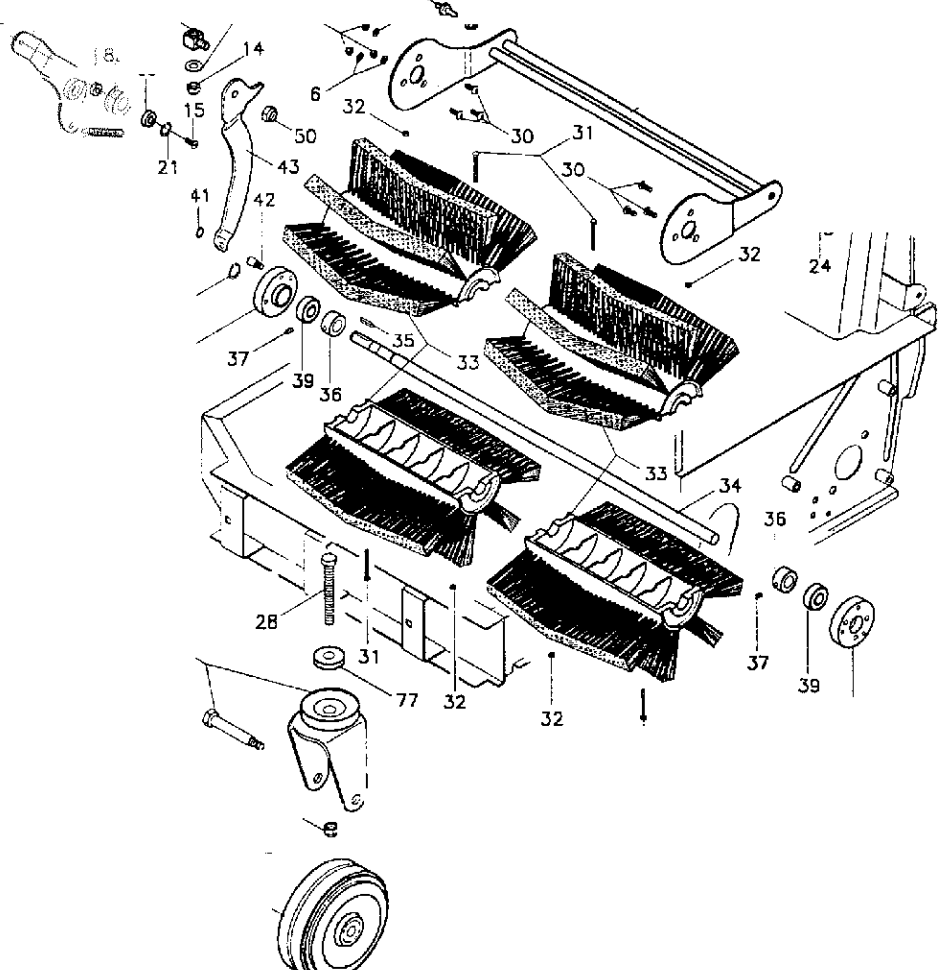
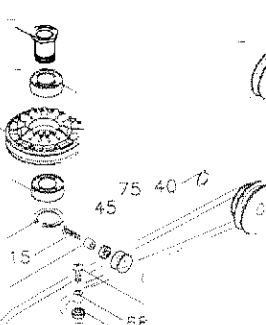
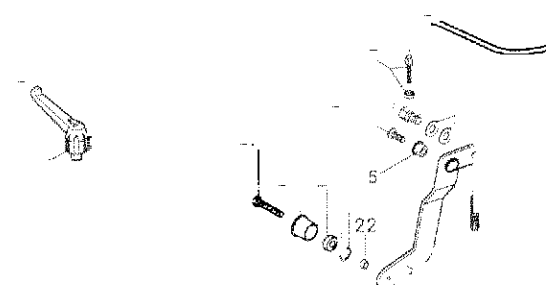
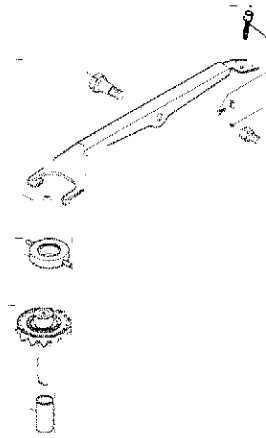
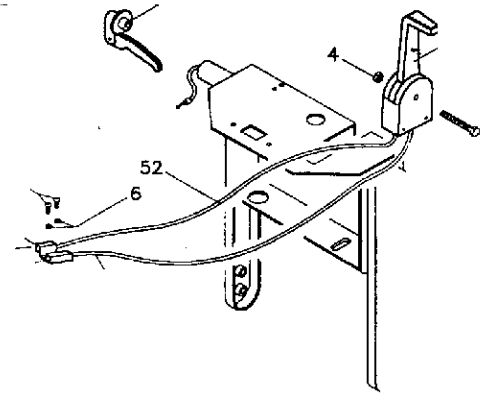
Id. Code	N°	Rif.	Descrizione	Description	Beschreibung	Descrizione
2.190.012	1	E-5	Supporto motore HONDA	Motor support HONDA	Motorhalterung HONDA	Support moteur HONDA
2.260.052	1	E-5	Supporto motore TECNAMOTOR	Motor support TECNAMOTOR	Motorhalterung TECNAMOTOR	Support moteur TECNAMOTOR
2.120.148	2	F-5	Copri ruota Ø 200 Azzurro	Blue wheel's cover Ø 200	Blau Raddeckel Ø 200	Couvre roue Bleu Ø 200
2.120.085	2	F-5	Copri ruota Ø 200 Bianco	White wheel's cover Ø 200	Weiss Raddeckel Ø 200	Couvre roue blanche Ø 200
2.120.149	2	F-5	Copri ruota Ø 200 Grigio	Grey wheel's cover Ø 200	Grau Raddeckel Ø 200	Couvre roue gris Ø 200
2.120.084	2	F-5	Copri ruota Ø 200 Rosso	Red wheel's cover Ø 200	Rot Raddeckel Ø 200	Couvre roue rouge Ø 200
1.105.234	3	F-5	Vite TBCE 6x10	Screw 6X10	Schraube 6X10	Vis 6X10
	3	F-5	Rondella 6x24	Washer 6X24	Scheibe 6X24	Rondelle 6X24
	4	F-5	Seccer esterno Ø 28	Outer snap ring Ø 28	Aussenseger Ø 28	Bague d'arrêt externe Ø 28
	2	F-5	Cuscinetto HFL 1426 a rullini	HFL 1426 roller bearing	Nedellager HFL 1426	Palier HFL 1426 à rouleaux
	2	F-5	Boccola esagonale	Exagonal bushing	Sechseckant Btchse	Douille esagonale
	2	F-5	Cuscinetto HK 1412 a rullini	HK 1412 roller bearing	Nedellager HK 1412	Palier HK 1412 à rouleaux
	2	F-4	Ruota gomma	Wheel Ø 250x55	Rad Ø 250 x 55	Roue Ø 250x55
	4	E-4	Vite TTDE 6x16	Screw 6x16	Schraube 6x16	Vis 6x16
	4	E-4	Rondella 6x12	Washer 6X12	Scheibe 6X12	Rondelle 6X12
	2	E-3	Chiavetta 5x5x15	5x5x15 Key	Keil 5x5x15	Clé 5x5x15
	1	E-2	Albero trazione TK 500	Drive Shaft TK 500	Antriebswelle TK 500	Arbre traction TK 500
	3	C-4	Grano 6x10	Dowel 6x10	Zapfen 6x10	Ergot 6x10
	2	D-2	Supporto SBPFL 203	Support SBPFL 203	Auflage SBPFL 203	Support SBPFL 203
	1	D-2	Puleggia trazione	Traction pulley	Zugriemenscheibe	Poulie traction
	1	D-2	Cinghia Z 29,5	Belt Z 29,5	Riemen Z 29,5	Courroie Z 29,5
	1	C-4	Flangia di bloccaggio giunto Trasco	Trasco joint blocking flange	Trasco Dichtung Blockierungsflansch	Bride de blocage du joint Trasco
	3	B-1	Seccer esterno Ø 15	Outer snap ring Ø 15	Aussenseger Ø 15	Bague d'arrêt externe Ø 15
	4	A-5	Vite TE 8x25	Screw 8x25	Schraube 8x25	Vis 8x25
	4	C-5	Vite TBCE 8x10	Screw 8x10	Schraube 8x10	Vis 8x10
	8	B-5	Rondella 8x17	Washer 8x17	Scheibe 8x17	Rondelle 8x17
	1	C-4	Rondella 6x24	Washer 6x24	Scheibe 6x24	Rondelle 6x24
	1	C-4	Vite TBCE 6x16	Screw 6X16	Schraube 6X16	Vis 6X16

COD.	9.600.5101
ESP.	X 2 3 4 5
TAVOLA	1 TK 500ST
DATA:	07 96



Rif. Code	N°	Rif.	Descrizione	Description	Beschreibung	Description
2.120.134	1	A-4	Cofano super. TK500ST Bianco	White Upper cover TK 500 S	Weiss Oberdeckel TK 500 S	Capot Superior Blanche TK 500 S
2.120.215	1	A-4	Cofano super. TK500ST Bianco Tec	White Upper cover TK 500 S Tec.	Weiss Oberdeckel TK 500 S Tec.	Capot Superior Blanche TK500S Tec
2.120.128	1	A-4	Cofano super. TK500ST Rosso	Red Upper cover TK 500 S	Rot Oberdeckel TK 500 S	Capot Superior Rouge TK 500 S
2.120.205	1	A-4	Cofano super. TK500ST Rosso Tec.	Red Upper cover TK 500 S Tec.	Rot Oberdeckel TK 500 S Tec.	Capot Superior Rouge TK500S Tec.
2.1320.030	2	A-3	Volantino Ø 40 M8x15	Knob Ø 40 M8X15	Knopfen Ø 40 M8x15	Pommeau Ø40 M 8X15
2.105.201	4	E-2	Dado ingabbiato M8	Nut M 8	Mutter M 8	Ecro M 8
2.300.111	4	B-1	Serratura TEK Completa	TEK locking	TEK Schließung	Tek Serrure
2.200.201	1	C-4	Manico TK Scoppio verniciato	Handgrip TK500 S painted	Lenkstange TK 500 S lackiert	Poignee TK 500 S verni
2.200.040	2	C-3	Manopola in gomma nera Ø24/24	Rubber handle cover Ø 24/24	Lenkstangenummideckung Ø 24/24	Couvre-guidon en caoutch. Ø 24/24
2.120.118	1	B-3	Carter chiusura	locking casing	Schließungsgehäuse	Carter de fermeture
2.120.107	1	C-1	Cassetto anteriore TK 500 Bianco	White front drawer TK 500	Weiss Vorder Schmutzbehälter TK500	Bac avant blanche TK 500
2.120.213	1	C-1	Cassetto anteriore TK 500 Blu	Blue front drawer TK 500	Blau Vorder Schmutzbehälter TK500	Bac avant bleu TK 500
2.120.022	1	C-1	Cassetto anteriore TK 500 Rosso	Red front drawer TK 500	Rot Vorder Schmutzbehälter TK500	Bac avant rot TK 500
2.105.304	2	A-3	Rondella 8x17	Washer 8x17	Scheibe 8x17	Rondelle 8x17
2.120.235	1	D-3	Carter chiusura manico Grigio	Grey cable casing for the handle	Grau Handgriffskabelmantel Gehäuse	Carter couvre-câbles poignée grise
2.310.097	1	D-5	Maniglia Completa	Complete Handle L. 183	Vollst. Handgriff	Poignée complete
2.105.325	2	D-5	Rondella 6x24x2	Washer 6x24x2	Scheibe 6x24x2	Rondelle 6x24x2
2.320.048	1.5 Mt	D-4	Guarnizione trafilato armato	Reinforced gasket	Verstärkt dichtung	Joint renforce
2.105.236	8	D-3	Vite TBCE 6x16	Screw 6x16	Schraube 6x16	Vis 6x16
2.105.361	2	D-5	Vite autofilattante TEFR 6,3x19	Screw 6,3x19	Schraube 6,3x19	Vis 6,3x19
2.270.084	1	E-3	Telaio TK 500 S Pantone	Frame TK 500 S	Rahmen TK 500 S	Rahmen TK 500 S
2.270.083	1	E-3	Telaio TK 500 S RAL 7001	Frame TK 500 S RAL 7001	Rahmen TK 500 S RAL 7001	Rahmen TK 500 S RAL 7001
2.105.230	8	D-1	Vite TBCE 8x10	Screw 8x10	Schraube 8x10	Vis 8x10
2.120.131	1	E-1	Carter laterale DX TK500S Azzurro	Blue Right side casing TK500 S	Blau Rechtsseitengehäuse TK500S	Carter latéral droit TK500S Blue
2.120.104	1	E-1	Carter laterale DX TK500S Grigio	Gray Right side casing TK500 S	Grau Rechtsseitengehäuse TK500S	Carter latéral droit TK500S Gris
2.120.130	1	F-3	Carter laterale SX TK500S Azzurro	Blue Left side casing TK500 S	Blau Linksseitengehäuse TK500S	Carter latéral gauche TK500S Blue
2.120.105	1	F-3	Carter laterale SX TK500S Grigio	Gray Left side casing TK500 S	Grau Linksseitengehäuse TK500S	Carter latéral gauche TK500S Gris
2.120.112	1	F-2	Carter frontale TK500 Azzurro	Blue Front casing TK 500	Blau Frontgehäuse TK 500	Carter frontal TK 500 Blue
2.120.019	1	F-2	Carter frontale TK500 Grigio	Gray Front casing TK 500	Grau Frontgehäuse TK 500	Carter frontal TK 500 Gris
2.120.201	1	F-2	Carter frontale TK 500 Nero	Black Front casing TK 500	Schwarz Frontgehäuse TK 500	Carter frontal TK 500 Noire
2.105.239	2	F-1	Vite TBCE 8x16	Screw 8x16	Schraube 8x16	Vis 8x16
2.105.123	2	E-2	Dado M6	Nut M 6	Mutter M 6	Ecro M6
2.370.003	2	E-2	Piedino 20x9 M6x18	Foot 20X9 M6X18	Fuß 20x9 M6x18	Pied 20X9 M6X18
2.120.109	1	D-5	Cassetto posteriore TK 500 Azzurro	Blue back drawer TK 500	Blau Hintersch behälter TK 500 E	Bac arrière TK 500E Blue
2.120.023	1	D-5	Cassetto posteriore TK 500 Grigio	Gray back drawer TK 500	Grau Hintersch behälter TK 500 E	Bac arrière TK 500E Gris
2.120.202	1	D-5	Cassetto posteriore TK 500 Nero	Black back drawer TK 500	Schwarz Hintersch behälter TK500E	Bac arrière TK 500E Noir

TCOD: 9.600.2.02
ESP: X 2 3 4 5
TAVOLA 2 TK 530S
DATA: 07 96



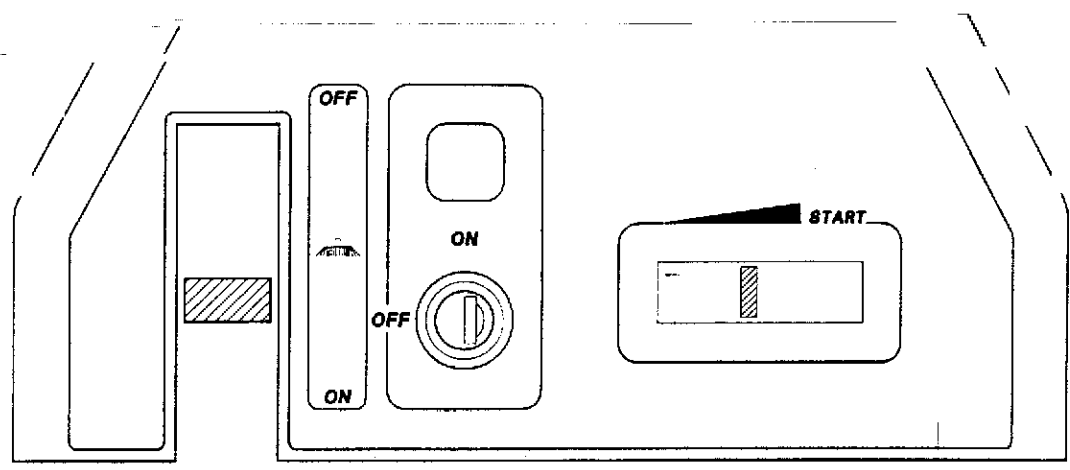
Rif.	Code	N°	Rif.	Descrizione	Description	Beschreibung	Description
1	2.125.017 A	1	B-4	Guaina alzaspazzola laterale	Side brush sheathing	Seitenbesenohlse	Gaine brosse laterale
2	2.310.123	1	A-4	Mangia trazione TK completa	Traction handle TK	Zughandriff TK	Poignée traction TK
3	1.105.229	3	A-2	Registro tornito Ø 7	Turned adjuster Ø 7	Gedreht Regler Ø 7	Barre de réglage tournée Ø 7
4	1.125.005	1	A-5	Leva comando alzaspazzola later.	Sidebrush drive lever	Seitenbesensteuerhebel	Lever de comand brosse laterale
5	1.105.162	3	A-4	Vite TEFR 6x16	Screw 6x16	Schraube 6x16	Vis 6x16
6	1.105.303	8	C-3	Rondella 6x12	Washer 6x12	Scheibe 6x12	Rondelle 6x12
7	2.150.025	1	A-4	Blochetto ferma guaina	Sheath stopping block	Hülschalungsblock	Bloque de arrête gaine
8	2.250.078	1	C-2	Puleggia movimento spazzola	Brush-moving pulley	Besensdrehungsscheibe	poulie mouvement brosse
9	2.125.012	1	B-4	Guaina cavo trazione	Drive cable sheath	Antriebskabelhülse	Gaine câble traction
10	2.125.012 C	1	B-4	Cavo trazione	Drive cable	Antriebskabel	Câble traction
11	1.105.485	2	B-2	Grano 5x6	Dowel 5x6	Zapfen 5x6	Ergot 5x6
12	2.290.004	2	B-2	Vite CH 17 h 28 fissaggio filo	Wire fixing screw	Kabelbefestigungsschraube	Vis fixation câble
13	1.105.304	6	C-3	Rondella 8x17	Washer 8x17	Scheibe 8x17	Rondelle 8x17
14	1.105.124	3	C-4	Dado bloccante M8	Block nut M 8	Block mutter M 8	Ecrou bloquant M 8
15	1.105.238	4	D-1	Vite TBCE 8x25	Screw 8x25	Schraube 8x25	Vis 8x25
16	2.110.025	1	C-4	Boccola leva tendicinghia	Belt tightener lever's b.	Riemenspannrollesbüchse	Douille tendeur de courroie
17	2.205.005	1	C-4	Molla trazione TK500	TK 500 traction spring	Zugfeder TK 500	Ressort traction TK 500
18	2.290.001	1	C-3	Vite bloccaggio rullo tendicinghia	Fix. screw for the belt tightener roller	Befestigungssch. Riemenspannrolle	Vis de blocage tend. de courroie
19	2.250.001	1	C-3	Rullo tendicinghia h15	Belt tightener roll h15	Riemenspannrolle h15	Rouleau tendeur de courroie h15
20	1.390.005	2	C-2	Cuscinetto 608 2RS	Bearing 608 2RS	Kugellager 608 2RS	Palier 608 2RS
21	1.105.701	2	C-4	Seeger interno Ø 22	Inner snap ring	Innenseeger Ø 22	Bague d'arrêt interne Ø 22
22	2.130.001	1	C-4	Distanziale Ø12 h 3.5	Spacer	Abstandstück	Entretoise
23	2.190.011	1	C-4	Staffa tendicinghia TKS	TKS belt tightener bracket	Riemenspannbügel TKS	Etrier tendeur de courroie TKS
24	2.290.007	1	D-5	Perno per bilancere	Pin for rocker	Zapfen Kipphebel	Goujon pour culbuteur
25	2.110.016	2	D-5	Boccola per bilancere	Rocker bushing	Kipphebelbüchse	Douille culbuteur
26	2.110.017	1	C-4	Bilancere TK 500	TK 500 Rocker	TK 500 Kipphebel	Culbuteur TK 500
27	1.105.133	6	C-3	Dado bloccante M 6	Block nut M 6	Block mutter M 6	Ecrou bloquant M 6
28	1.105.094	1	E-3	Vite TE 12x40	Screw 12x40	Schraube 12x40	Vis 12x40
29	1.250.067	1	E-3	Ruota Ø 100 supporto girevole	Rotary support wheel Ø100	Rad Ø 100 Drehtlager	Roue Ø100 support pivotant
30	1.105.503	6	D-4	Vite TSCE 6x20	Screw 6x20	Schraube 6x20	Vis 6x20
31	1.105.551	4	D-4	Vite TCCE 5x70	Screw 5x70	Schraube 5x70	Vis 5x70
32	1.105.122	4	E-4	Dado M5	Nut M5	Mutter M5	Ecrou M5
33	2.350.027	1	D-4	Spazzola centrale	TK 500 main brush	Zentralbürsten TK 500	Brosse centrale TK 500
34	2.100.008	1	E-4	Albero spazzola centr. TK500S	Brush shaft TK 500 S	Zentralbesenwelle TK 500 S	Arbre brosse TK 500S
35	1.105.461	1	D-3	Chiavetta 5x5x15	Key 5X5X15	Keil 5X5X15	Clé 5X5X15

Rif. Code	N°	Rif.	Descrizione	Description	Bezeichnung	Description
36	2.130.003	E-5	Distanziale albero spazzola	Spacer brush'shaft	Besenswellespassstandsbleck	Entretroise arbre brosse
37	1.105.482	E-5	Grano 6x6	Dowel 6x6	Zapfen 6x6	Ergot 6x6
38	2.260.028	E-5	Supporto cuscinetto Ø 80	Ø80 Bearing's support	Ø 80 Kugellagersauflage	Support pour paliers Ø80
39	1.390.009	E-5	Cuscinetto 6202 2RS	Bearing 6202 2RS	Kugellager 6202 2RS	Palier 6202 2RS
40	1.105.405	D-3	Seeger esterno Ø 15	Outer snap ring Ø 15	Ausserseeger Ø 15	Bague d'arrêt externe Ø 15
41	1.105.420	D-3	Seeger esterno Ø 12	Outer snap ring Ø 12	Ausserseeger Ø 12	Bague d'arrêt externe Ø 12
42	2.230.029	D-3	Perno fissaggio regolazione spazzola	Brush adjusting fixing pivot	Einstellbolzen zentralb.	Goujon réglage brosse
43	2.190.010	D-3	Staffa regolazione spazzola centrale	Centre brush adjustment bracket	Einstellbügel Mittenbürste	Etrier réglage brosse centrale
44	2.105.001	C-1	Rondella in feltro per braccio laterale	Side arm's felt washer	Seiten auflage filzscheibe	Rondelle feutre pour bras lateral
45	1.390.013	D-1	Cuscinetto HK 1012	Bearing HK 1012	Kugellager HK 1012	Palier HK 1012
46	1.105.230	D-2	Vite TBCE 8x10	Screw 8x10	Schraube 8x10	Vis 8x10
47	2.130.011	C-1	Distanziale albero spazzola laterale	Side brush shaft'spacer	Abstandstück f. seitenbesenwelle	Entretroise arbre brosse laterale
48	1.105.124	D-1	Dado M8	Nut M8	Mutter M8	Ecrou M8
49	2.250.073	C-2	Puleggia 2 gole	2-races	2-Führungsbahnscheibe	Poulie à 2 gorges
50	1.105.135	C-3	Dado bloccante M10	Block nut M 10	Block mutter M 10	Ecrou bloquant M 10
51	1.105.325	C-2	Rondella 6x24	Washer 6x24	Scheibe 6x24	Rondelle 6x24
52	2.125.017B	A-4	Guaina spazzola laterale	Side brush sheathing	Seitenbesenwölse	Gaine brosse laterale
53	2.125.018	A-2	Cavo alzaspazzola laterale	Side brush lifting cable	Bürstenhebekabel, seitlich, nachmass	Câble lève-brosse latérale en position
54	2.230.002	B-1	Perno CHI17 h 34	Pin 17x34	Bolzen 17x34	Goujon 17x34
55	1.125.004	B-2	Morsetto Ø 7	Clamp Ø7	Klemme Ø7	Etau Ø7
56	1.105.231	B-1	Vite TBCE 8x22	Screw 8x22	Schraube 8x22	Vis 8x22
57	2.190.004	B-1	Leva sollevamento spazzola laterale	Side brush lifting lever	Seitliche Bürstenhebeshebel	Levier soulèvement brosse latérale
58	1.105.327	B-1	Rondella 8x32	Washer 8x32	Scheibe 8x32	Rondelle 8x32
59	2.100.012	B-1	Anello cuscinetto spazzola laterale	Ring for the side brush bearing	Seitliche Bürstenlagerring	Bague palier brosse latérale
60	1.260.029	B-1	Sfere 11/32"	Balls 11/32"	Kugeln 11/32"	Boules 11/32"
61	2.100.019	B-1	Anello dentato movimento spaz. later.	TK Side brush mov. toothed ring	TK Seitenbensens Zahnring	Anneau denté mouvement TK
62	1.105.307	C-3	Rondella 15X28	Washer 15X28	Scheibe 15X28	Rondelle 15X28
63	2.110.012N	C-1	Boccola portacuscinetti	Bushing for bearings	Büchse, Nodellagerträger	Douille porte-paliers
64	1.390.012	C-1	Cuscinetto 6005 2RS	Bearing 6005 2RS	Kugellager 6005 2RS	Palier 6005 2RS
65	2.100.020	C-1	Anello dentato folle	Idle toothed ring	Leerzahnring	Bague dentées folle
66	1.105.416	C-1	Seeger esterno Ø 25	Outer snap ring Ø 25	Ausserseeger Ø 25	Bague d'arrêt externe Ø 25
67	1.105.136	F-3	Dado bloccante M12	Block nut M 12	Block mutter M 12	Ecrou bloquant M 12
68	2.110.042	D-1	Distanziale Ø 10 h 15,6	Spacer Ø 10 h 15,6	Abstandstück Ø 10 h 15,6	Entretroise Ø 10 h 15,6
69	2.250.079	D-1	Puleggia Ø 27x15	Pulley Ø 27x15	Scheibe Ø 27x15	Poutie Ø 27x15
70	1.330.009	D-2	Cinghia Ø 8 Sv. 970	Belt Ø 8 x 970	Riemen 8 x 970	Courroie 8 x 970

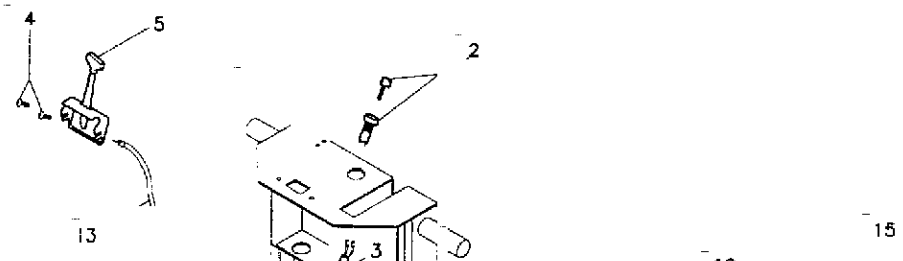
Rif. Code	N°	Rif.	Description	Description	Description
71	1.105.326	2	D-1 Rondella 8x24	Washer 8x24	Scheibe 8x24
72	2.260.024	1	D-1 Supporto spazzola laterale	Side brush support	Seitenbesenrager
73	2.250.034	1	D-1 Flangia trascinamento spazzola later.	Side brush dragging flange	Mitnehmerflansch Seitenbesen
74	2.350.020	1	E-1 Spazzola laterale	Side brush	Seitenbesen
75	2.260.080	1	D-1 Puleggia Ø 30 x 15	Pulley Ø 30X15	Scheibe Ø 30X15
76	1.105.160	3	E-1 Vite TEFR 6x10	Screw 6x10	Schraube 6x10
77	2.130.005	1	E-3 Distanziale	Spacer	Abstandstuck
78	1.330.017	1	C-2 Cinghia SPZ 737	SPZ 737 Belt	Riemen SPZ 737
79	2.200.031	1	C-3 Maniglia regolazione spazzola centr.	Main brush adjustment handle	Z. Basen einstellungshandgriff
80	1.110.020	1	C-3 Ghiera zigrinata Ø 25 M12	Knurled ring nut, Ø 25 M12	Ø 25 M 12 Gerandelt zwinge
81	2.110.026	1	C-3 Bloccetto regolazione spazzola centr.	Main brush adjustment block	Z. Basen einstellungsblock
82	2.130.010	1	C-2 Distanziale Ø 12 h 7	Spacer Ø 12 h 7	Abstandstuck Ø 12 h 7
83	2.250.077	1	C-2 Rullo tendicinghia	Belt tightening roller	Riemenspannrolle
84	2.190.017	1	C-2 Staffa tendicinghia spazzola centrale	Main brush adjustment bracket	Einstellbugel Mittenburste
85	2.205.015	1	C-2 Molla trazione	Traction spring	Zugfeder
86	1.105.230	1	D-2 Vite TBCE 8x10	Screw 8x10	Schraube 8x10
87	1.105.234	1	C-2 Vite TBCE 6x10	Screw 6x10	Schraube 6x10
88	2.230.034	1	C-3 Perno per bilancere	Pin for rocker	Zapfen Kipphebel
89	1.390.015	1	C-1 Cuscinetto HK 1412	Bearing HK 1412	Kugellager HK 1412
					Rondelle 8x24
					Support brosse laterale
					Etrier trainement brosse laterale
					Brosse laterale
					Poulie Ø 30X15
					Vis 6x10
					Entretoise
					Courroie SPZ 737
					Poignee reglage brosse centrale
					Frette crenele Ø 25 M 12
					Bloque reglage brosse centrale
					Entretoise Ø 12 h 7
					Rouleau tendeur de courroie
					Etrier reglage brosse centrale
					Ressort traction
					Vis 8x10
					Vis 6x10
					Goujon pour culbuteur
					Palier HK 1412

COD. 9.600.510
 ESP. 2 3 4 5
 TAVOLA 4 TK 500ST
 DATA: 07 96

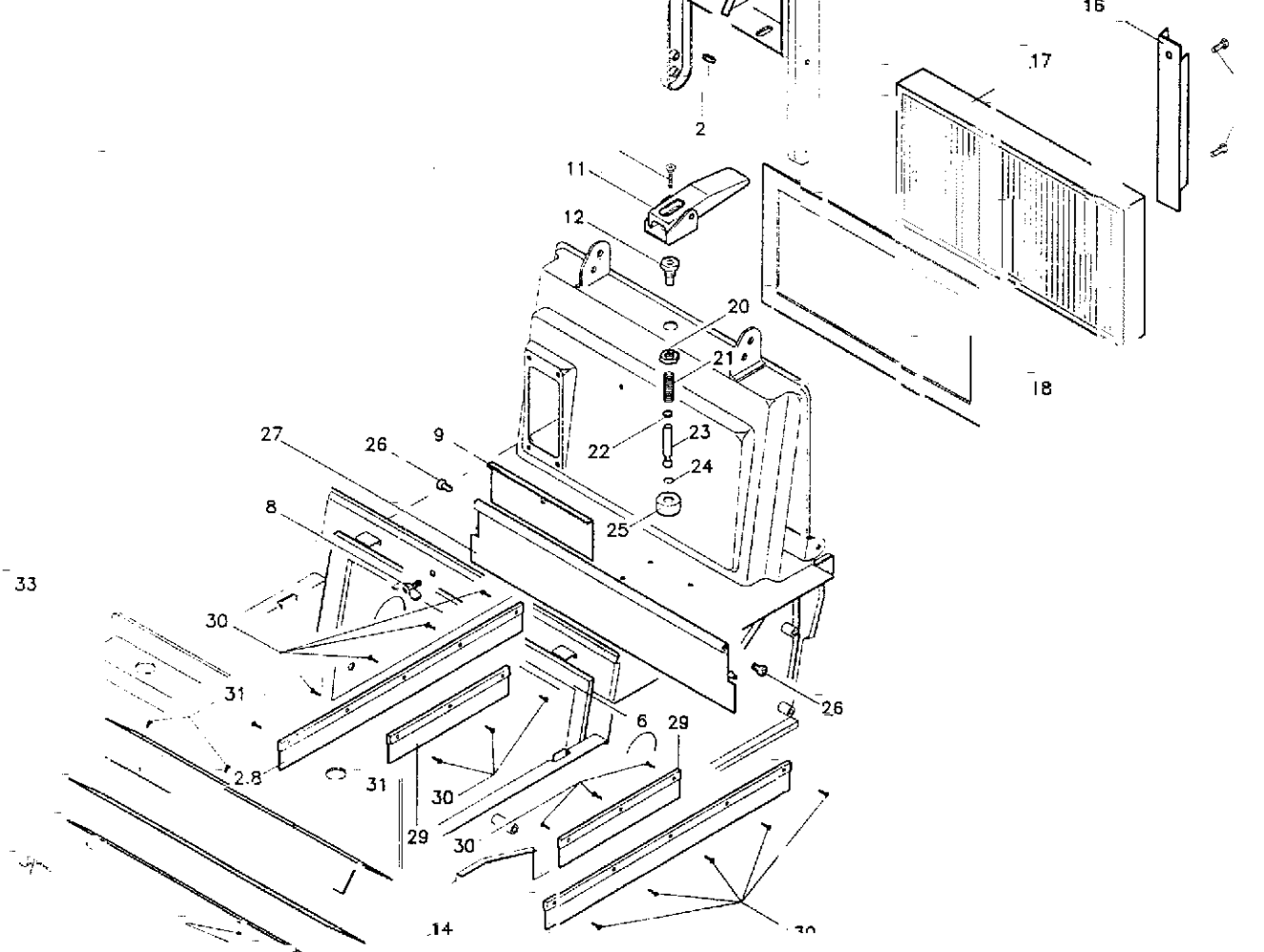
A



B

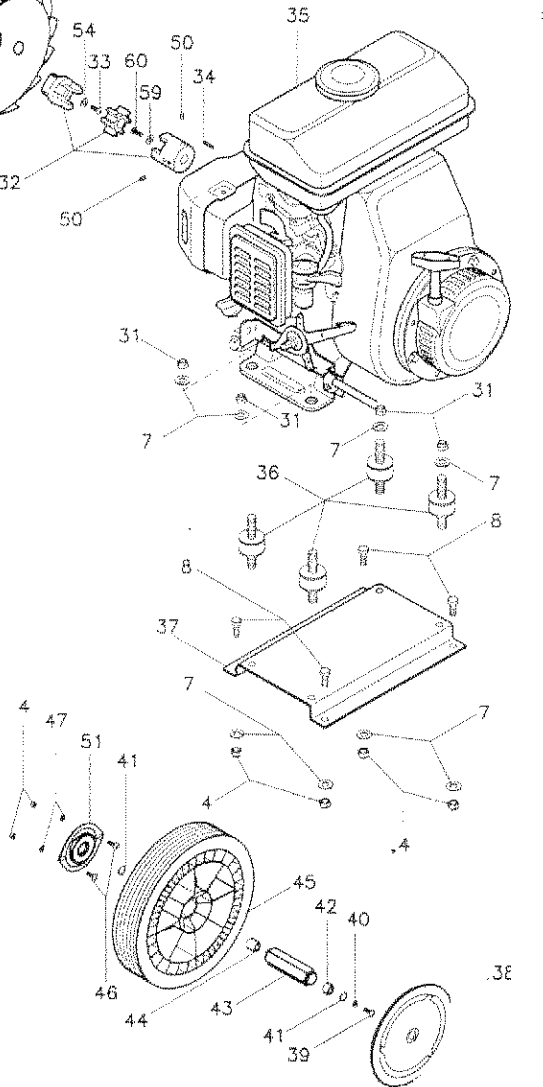
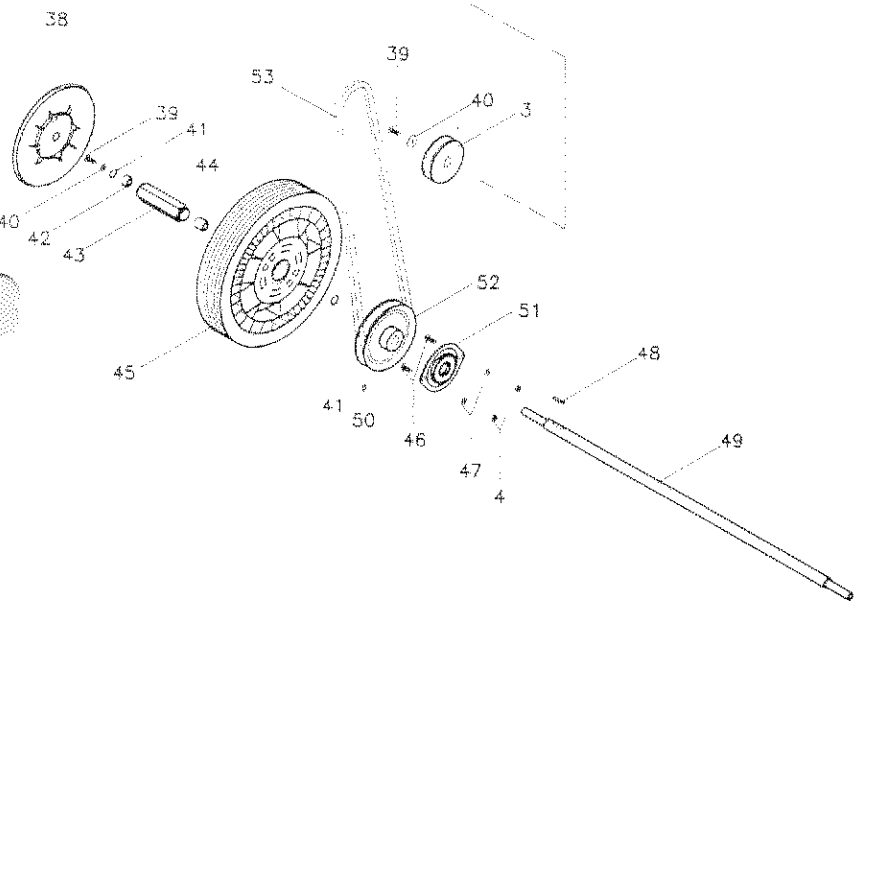
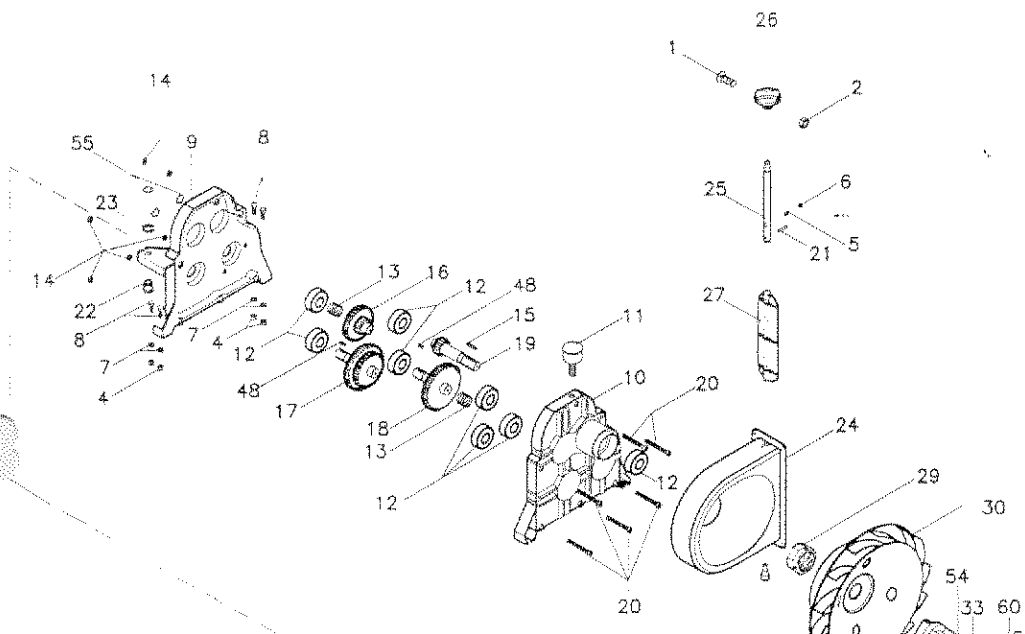
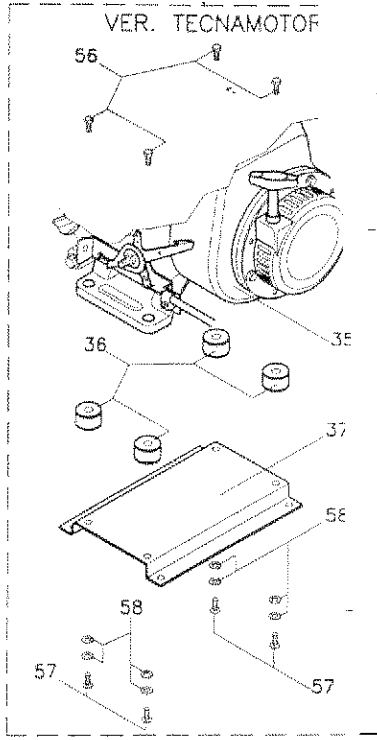


C



Rif. Code	N°	Rif.	Descrizione	Descrifier	Beschreibung	Description	Description
1	6.911.071	B-3	Etichetta cruscotto TK 500 S	TK 500 S dashboard's plate	TK 500 S Armaturenbrettschild	Plaque tableau de bord TK 500 S	
		C-3	Interruttore a chiave per scoppio	Key switch	Schlußschalter	Interrupteur à Clé	
		C-3	Cavo per pulsante arresto HONDA	Stop button's cable HONDA	Haltungsdruckknopfakabel HONDA	Câble bouton arrêt	
		C-3	Cavo per pulsante arresto TECNAM.	Stop button's cable TECNAM.	Haltungsdruckknopfakabel TECNAM.	Câble bouton arrêt TECNAM.	
		C-2	Vite TEFR 5x12	Screw 5x12	Schraube 5x12	Vis 5x12	
		C-2	Acceleratore TKS	Accelerator	Beschleuniger	Accelérateur	
		E-2	KIT mousse cassetto anteriore	Adhesive kit for front drawer	Satz Klebschaummitti Frontschieber	Kit mousse adhesive bac avant	
		F-3	Flap laterale sinistro TK500 / TK 700	Left side flap TK 500/TK700	Linksseitenklappe TK500/TK700	Flap latéral gauche TK500/TK700	
		E-2	Galletto Ø 30 M8x20	Butterfly screw Ø30 M 8x20	Flügelmutter Ø30 M8x20	Ecrou à oreilles Ø30 M8x20	
		E-3	Staffa fissaggio carter	Casing fixing bracket	Gehäusefixierungsbügel	Etrier fixation carter	
		D-3	Vite TSCE 6x25	Screw 6x25	Schraube 6x25	Vis 6x25	
		D-3	Leva scuotifiltro TK completa	Complete filtershaker's lever	Voll. Filtertüftlershebel	Levier complet secouement de filtre	
		C-3	Guida scuotifiltro TK	Filtershaker's rail	Filtertüftlersführung	Siège secouement filtre	
		F-2	Trasmissione comando acceleratore	Accelerator driving transmission	Flügelradbüchse	Transmission de accélérateur	
		C-5	Gomma cassetto anteriore	Front drawer rubber TK 500	Schutzbehältersgummi TK 500	Caoutchouc du bac avant TK 500	
		C-5	Vite TE 8x25	Screw 8x25	Schraube 8x25	Vis 8x25	
		D-5	Staffa fissaggio filtro	Filter fixing bracket	Haltebügel f. Filter	Etrier fixation filtre	
		D-4	Filtro TK 500	Filter TK 500	Filter TK 500	Filter TK 500	
		D-4	KIT mousse per filtro TK 500	Filter gaskets kit TK 500	Filterdichtungen TK 500	Kit joints filtre TK 500	
		F-2	Para cassetto anteriore	Front drawer para TK 500	Schutzbehältersparagummi TK 500	Para du bac avant TK500	
		D-3	Dado M18	Nut M18	Mutter M18	Ecrou M18	
		D-3	Molla compressione scuotifiltro	Filtershaker's spring	Filtertüftlersfeder	Ressort secouement filtre	
		E-3	Guarnizione OR 106	OR 106 Gasket	OR 106 Dichtung	Joint OR 106	
		E-3	Perno a sfera	Pin	Kugelpfopsbolzen	Goujon	
		E-3	Seeger interno Ø 16	Inner snap ring Ø 16	Innenseeger Ø 16	Bague d'arrêt interne Ø 16	
		E-3	Mazza snodata	Articulated bar	Gelenkbar	Barre articulée	
		E-2	Vite TBCE 10x16	Screw 10x16	Schraube 10x16	Vis 10x16	
		E-3	Flap posteriore TK500	Backside flap TK 500	Hinterklappe TK 500	Flap arrière TK 500	
		F-2	Flap laterale destro TK500/TK700	Right side flap TK500/TK700	Rechtsseitenklappe TK500/TK700	Flap latéral droite TK500/TK700	
		F-3	Flap interno telaio TK	Inner flap TK	Innenklappe TK	Flap interne TK	
		F-3	Vite autofil. TC 3,5x9,5	Screw 3,5x9,5	Schraube 3,5x9,5	Vis 3,5x9,5	
		F-2	Vite TE 4x16	Screw 4x16	Schraube 4x16	Vis 4x16	
		F-1	Dado M4	Nut M4	Mutter M4	Ecrou M4	
		F-2	Perma flap cassetto anteriore	Flap fixer TK 500	Klappenhalter TK 500	Ferme flap TK 500	

COD. 9.600.5103
 ESP. 2 3 4 5
 TAVOLA 3 TK 500ST
 DATA: 07 96



A
B
C
D
E
F

Rif. Code	N°	Rif.	Descrizione	Description	Beschreibung	Description
1	1.105.242	A-3	Vite TBCE 5x20	Schraube 5x20	Schraube 5x20	117. 5x20
2	1.105.197	B-3	Dado M5	Nut M5	Mutter M5	Eccrus M5
3	2.250.031	D-2	Puleggia trazione su riduttore	Reduction gear traction pulley	Getriebsantriebscheibe	Poulie traction sur reducteur
4	1.105.133	E-5	Dado bloccante M 6	Locknut M 6	Selbstspernmutter M 6	Eccrus autobloquant M 6
5	2.205.013	B-3	Molla per coecla	Spring for air-conveyer	Schnecksfeder	Vis pour camalisateur d'air
6	1.250.051	B-3	Sfera Ø 5	Balls Ø 5	Kugeln Ø 5	Billes Ø 5
7	1.105.324	D-5	Rondella 6x18	Washer 6x18	Scheibe 6x18	Rondelle 6x18
8	1.105.162	D-5	Vite TEFR 6x16	Screw 6x16	Schraube 6x16	Vis 6x16
9	2.195.003	B-1	Coperchio riduttore	Reduction gear cover	Getriebedeckel	Pommesa reducteur
10	2.105.014	B-3	Corpo riduttore	Reduction gear body	Untersetzungsgetriebekörper	Corps reducteur
11	1.320.004	B-3	Ingrassatore Staubf	Stauff Greaser	Stauff Greaser	Stauff Greaser
12	1.390.009	B-2	Cuscinetto 6202 2RS	Bearings 6202 2RS	Lager 6202 2RS	Lager 6202 2RS
13	1.105.952	B-2	Spessori 15x22x0,5	Shim 15x22x0,5	Zwischenlegscheibe 15x22x0,5	Plaque 15x22x0,5
14	1.105.123	B-1	Dado M6	Nut M6	Mutter M6	Mutter M6
15	1.105.467	B-2	Chiavetta 5x5x20	5x5x20 Key	Keil 5x5x20	Clé 5x5x20
16	2.250.074	B-2	Ingranaggio denti diritti riduttore	Reducer/straight toothed gear	Getriebsaufrehtes Zahnrad	Engrenage dents droits reducteur
17	2.250.075	B-2	Ingranaggio denti dritti-elicoideali	Straight+helicoidal toothed gear	Aufrecht+schraubendflächiges Zahnrad	Engrenage dents droits+helicoïdaux
18	2.250.076	R-2	Ingranaggio denti elicoideali+elicoideali	Helicoidal+helicoidal toothed gear	Schraubendflächiges Zahnrad	Engrenage dents droits+helicoïdaux
19	2.100.024	B-2	Albero dentato riduttore TEK	TEK reducer's toothed shaft	TEK Getriebszahnwelle	Arbre denté reducteur TEK
20	1.105.540	C-3	Vite TCCE 6x35	Screw 6x35	Schraube 6x35	Vis 6x35
21	1.105.505	B-3	Spina 5x16	5x16 elastic catch	5x16 Elastisch Haltung	Arrêt elastique 5x16
22	2.110.025	B-1	Guida regolazione spazzola centrale	Main broom adjusting rail	Zentralbesens Einstellungsbahn	Guide réglage brosse centrale
23	1.105.307	B-1	Rondella 15x28	Washer 15x28	Scheibe 15x28	Dondelle 15x28
24	2.120.208	B-3	Coecla	Air conveyer	Schnecke	Camalisateur d'air
25	2.100.022	B-3	Albero farfalla coecla	Air conveyer butterfly shaft	Drosselschnecksfeder	Arbre papillon du canalisateur d'air
26	2.120.208	B-3	Manopola per farfalla	Handle for butterfly	Drosselklappenhandgriff	Poignée pour papillon
27	2.120.207	B-3	Valvola farfalla NYLON	Butterfly valve nylon	Nylon Drosselklappe	Soupape papillon en Nylon
28	2.290.009	C-3	Vite arresto farfalla	Butterfly stoping screw	Drosselklappes Haltingsschraube	Vis arrêt papillon
29	2.110.024	C-3	Boccola Ø 40 x 30	Bushing Ø 40x30	Buchse Ø 40x30	Buchse Ø 40x30
30	1.290.009	C-3	Ventola plastica	Plastic fan	Plastikflügelrad	Ventilateur en plastique
31	1.105.134	D-5	Dado bloccante M 8	Locknut M8	Selbstspernmutter M8	Eccrus autobloquant M8
32	2.155.003	C-4	Giunto completo motore HONDA	HONDA motor complete joint	HONDA motor voll gelenk	Joint complete moteur HONDA
33	2.155.004	C-4	Giunto completo motore TECNAM.	TECNAMOTOR motor complete joint	TECNAMOTOR motor complete joint	Joint complete moteur TECNAM.
34	1.105.502	C-4	Vite TSCCE 6x16	Screw 6x16	Schraube 6x16	Vis 6x16
35	1.105.460	C-4	Chiavetta 5X5X30	5x5x30 Key	Keil 5x5x30	Clé 5x5x30
36	1.340.009	C-5	Motore HONDA	HONDA motor	HONDA motor	Moteur HONDA
37	1.340.020	A-5	Motore TECNAMOTOR	TECNAMOTOR motor	TECNAMOTOR motor	Moteur TECNAMOTOR
38	1.370.005	D-5	Antivibr. 30x20 M8x16 (Ver. Honda)	Antivibrations 30x20 M8x16	Schwingungsdämpfer 30x20 M8x16	Antivibrations 30x20 M8x16
39	1.370.006	B-5	Antivib. 30x20 FF M8 (Ver. Tecnam.)	Antivibrations 30x20 FF M8	Schwingungsdämpfer 30x20 FF M8	Antivibrations 30x20 FF M8

ELENCO COMPONENTI PREASSEMBLATI
PRE-ASSEMBLED SPAREPARTS LIST
VERMONTIERTE ERSATZTEILE
LISTE DES COMPOSANTES PRE-ASSEMBLÉS

Rif	Code	Descrizione	Description	Beschreibung	Description	Descrizione
TAV.1	2.300.089B	Cassetto anteriore completo Bianco	TK 500 Complete White front drawer	Voll. TK 500 Weiss Vorderschmutzbehälter	Bac avant Blanche complet TK 500	
	2.300.116	Cassetto anteriore completo Blu	TK 500 Complete Blue front drawer	Voll. TK 500 Blau Vorderschmutzbehälter	Bac avant Bleu complet TK 500	
	2.300.088R	Cassetto anteriore completo Rosso	TK 500 Complete Red front drawer	Voll. TK 500 Rot Vorderschmutzbehälter	Bac avant Rouge complet TK 500	
	2.300.091A	Cassetto posteriore completo Azzurro	TK 500 Complete Blue back drawer	Voll. TK 500 Blau Hinterschmutzbehälter	Bac avant Bleu complet TK 500	
	2.300.090G	Cassetto posteriore completo Grigio	TK 500 Complete Grey back drawer	Voll. TK 500 Grau Hinterschmutzbehälter	Bac avant Gris complet TK 500	
	2.300.113	Cassetto posteriore completo Nero	TK 500 Complete Black back drawer	Voll. TK 500 Schwarz Hinterschmutzbehälter	Bac avant Noire complet TK 500	
	2.310.294	Manico TK 500 ST completo	TK 500 ST complete handle	Voll. TK 500 ST Handgriff	Poignee complete TK 500 ST	
TAV.2	2.125.009	Leva alzaspazzola laterale completa	Complete brush-lifting lever	Voll. Besenhebershebel	Levier leve-brosse complete	
	2.310.127	Spazzola laterale completa PPL 70	Complete side brush PPL 70	Voll. Seitenbesen PPL 70	Brosse laterale complete PPL 70	
	2.315.008	Anello dentato folle completo	Complete idle tooth ring	Voll. leer zahnring	Bague dentee vide complete	
	2.315.003	Anello movimento completo	Complete movement ring	Voll. Bewegungsring	Bague de movement complete	
TAV.3	2.310.099N	Ruota Destra completa	Complete right wheel	Voll. Rechtsc Rad	Roue droite complete	
	2.310.100N	Ruota Sinistra completa	Complete left wheel	Voll. Linksc Rad	Roue gauche complete	
	2.310.117	Supporto cuscinetto completo	Complete support	Vollständig Auflage	Support complet	
TAV.4	2.310.096	KIT flap cassetto anteriore TK 500	TK 500 front drawer flap's kit	TK 500 Vordragerklappen Kit	Caoutchouc du bac avant TK 500	
	2.310.095	KIT flap telaio TK 500	TK 500 frame flap's kit	TK 500 Rahmenklappen Kit	Caoutchouc du chassis TK 500	
	2.160.052	KIT guarnizioni filtro TK 500	TK 500 Filter flap's kit	TK 500 Filterklappen Kit	Caoutchouc du filtre TK 500	
	2.310.106	Mazza snodata scuotifiltro completa	Complete filtershaker jointed rod	Voll. Gelenkbar	Barre articulée complete	