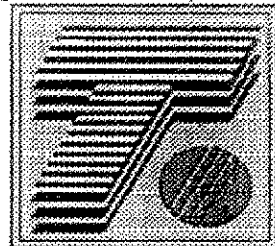
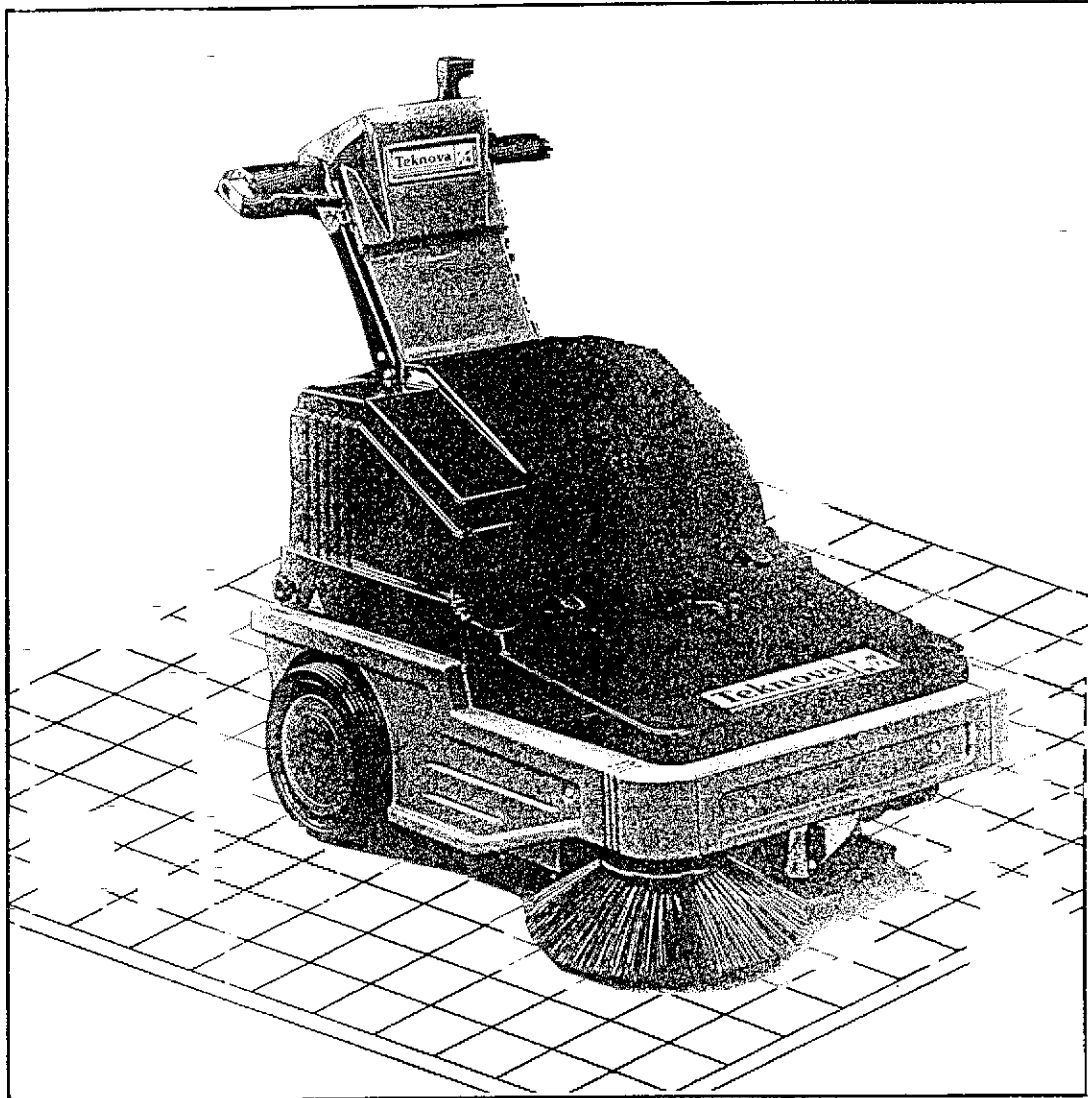


Teknova®

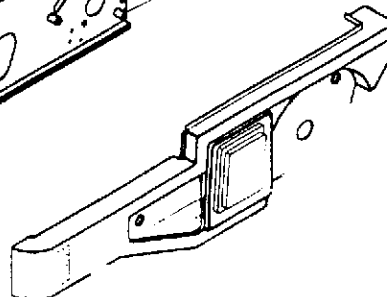
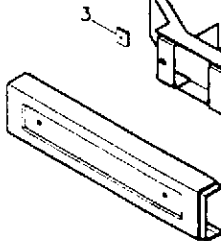
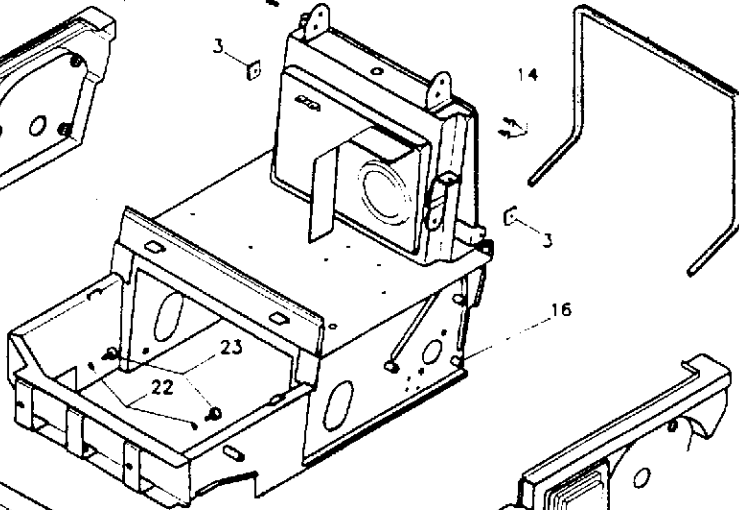
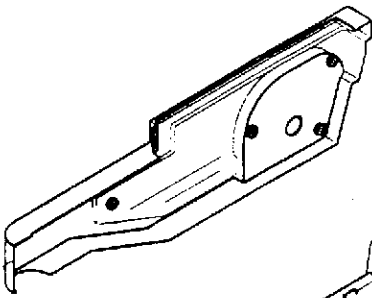
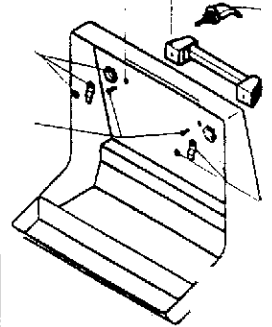
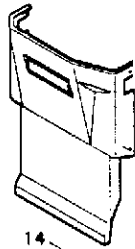
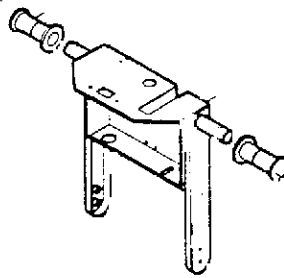
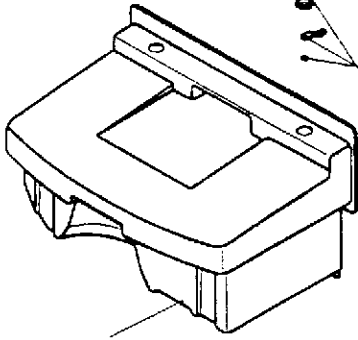
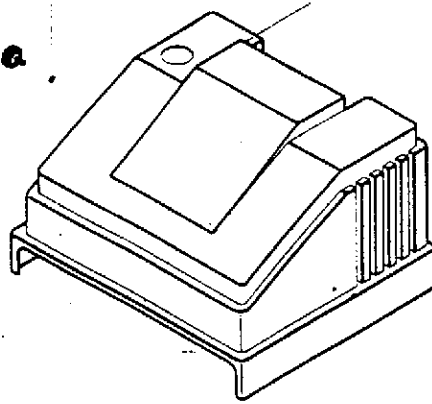


TK 500 ET



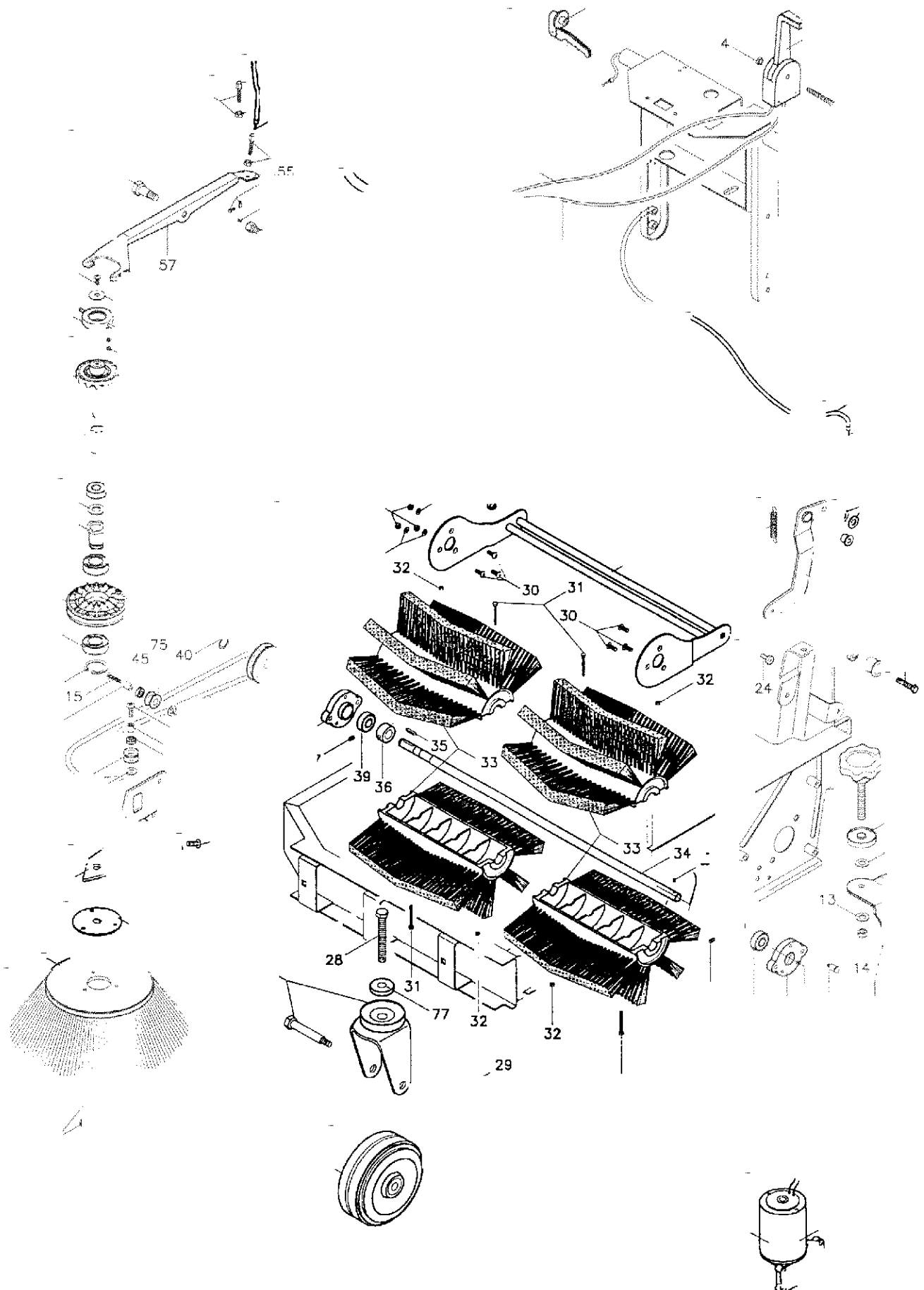
PARTI DI RICAMBIO
ERSATZTEILE
SPARE PARTS
PIECES DETACHÉS
RECAMBIOS

COD. 9.600.5001
ESP. 1 2 3 4 5
TAVOLA 1 TK 500ET
DATA:



Rif. Code	N°	Rif.	Descrizione	Description	Einschreibung	Description
2.120.024	1	A-4	Cofano superiore TK500 ET Rosso	Red Upper cover TK 500 E	Rot Oberdeckel TK 500 E	Capot Superior Rouge TK 500 E
2.120.108	1	A-4	Cofano superiore TK500 ET Bianco	White Upper cover TK 500 E	Weiss Oberdeckel TK 500 E	Capot Superior Blanche TK 500 E
2.120.214	1	A-4	Cofano superiore TK500 ET Blu	Blue Upper cover TK 500 E	Blau Oberdeckel TK 500 E	Capot Supérieur Bleu TK 500 E
2.1320.030	2	A3-	Volantino Ø 40 M8x15	Knob Ø 40 M8X15	Knopfen Ø 40 M8x15	Pommeau Ø40 M 8X15
3.1.105.201	4	E-2	Dado ingabbiato M8	Nut M 8	Mutter M 8	Ecrou M 8
2.300.111	4	B-1	Serratura TEK Completa	TEK locking	TEK Schließung	Tek Serrure
2.200.200	1	C-5	Manico TK Elettrico verniciato	Handgrip TK500 E painted	Lenkstange TK 500 E lackiert	Poignée TK 500 E verni
1.200.040	2	C-3	Manopola in gomma nera Ø24/24	Rubber handle cover Ø 24/24	Lenkstangengummideckung Ø 24/24	Couvre-guidon en caoutch. Ø 24/24
2.120.107	1	C-1	Cassetto anteriore TK 500 Bianco	White front drawer TK 500	Weiss Vorder Schmutzbehälter TK500	Bac avant blanche TK 500
2.120.213	1	C-1	Cassetto anteriore TK 500 Blu	Blue front drawer TK 500	Blau Vorder Schmutzbehälter TK500	Bac avant bleu TK 500
2.120.022	1	C-1	Cassetto anteriore TK 500 Rosso	Red front drawer TK 500	Rot Vorder Schmutzbehälter TK500	Bac avant rot TK 500
2.120.235	1	D-3	Carter chiusura manico Grigio	Grey cable casing for the handle	Grau Handgriffkabelmantel Gehäuse	Carter couvre-câbles poignée grise
2.310.097	1	D-5	Maniglia Completa	Complete Handle L 183	Vollst. Handgriff	Poignée complete
1.105.325	2	D-5	Rondella 6x24x2	Washer 6x24x2	Scheibe 6x24x2	Rondelle 6x24x2
1.320.048	1.5 Mt	D-4	Guarnizione trafilato armato	Reinforced gasket	Verstärkt dichtung	Joint renforce
1.105.236	8	D-3	Vite TBCE 6x16	Screw 6x16	Schraube 6x16	Vis 6x16
1.105.361	2	D-5	Vite autofilattante TEFR 6,3x19	Screw 6,3x19	Schraube 6,3x19	Vis 6,3x19
2.270.082	1	E-3	Telaio TK 500 E Pantone	Frame TK 500 E	Rahmen TK 500 E	Rahmen TK 500 E
2.270.062	1	E-3	Telaio TK 500 E RAL 7001	Frame TK 500 E RAL 7001	Rahmen TK 500 E RAL 7001	Rahmen TK 500 E RAL 7001
2.270.099	1	E-3	Telaio TK 500 E Nero	Frame TK 500 E Black	Rahmen TK 500 E Schwarz	Rahmen TK 500 E Noir
1.105.230	8	D-1	Vite TBCE 8x10	Screw 8x10	Schraube 8x10	Vis 8x10
2.120.110	1	E-1	Carter laterale DX TK500E Azzurro	Blue Right side casing TK500 E	Blau Rechtsseitengehäuse TK500E	Carter latéral droit TK500E Blue
2.120.021	1	E-1	Carter laterale DX TK500E Grigio	Gray Right side casing TK500 E	Grau Rechtsseitengehäuse TK500E	Carter latéral droit TK500E Gris
2.120.199	1	E-1	Carter laterale DX TK500E Nero	Black Right side casing TK500 E	Schwarz Rechtsseitengeh. TK500E	Carter latéral droit TK500E Noire
2.120.111	1	F-3	Carter laterale SX TK500E Azzurro	Blue Left side casing TK500 E	Blau Linksseitengehäuse TK500E	Carter latéral gauche TK500E Blue
2.120.018	1	F-3	Carter laterale SX TK500E Grigio	Gray Left side casing TK500 E	Grau Linksseitengehäuse TK500E	Carter latéral gauche TK500E Gris
2.120.200	1	F-3	Carter laterale SX TK500E Nero	Black Left side casing TK500 E	Schwarz Linksseitengehäuse TK500E	Carter latéral gauche TK500E Noire
2.120.112	1	F-2	Carter frontale TK500 Azzurro	Blue Front casing TK 500	Blau Frontgehäuse TK 500	Carter frontal TK 500 Blue
2.120.019	1	F-2	Carter frontale TK500 Grigio	Gray Front casing TK 500	Grau Frontgehäuse TK 500	Carter frontal TK 500 Gris
2.120.201	1	F-2	Carter frontale TK 500 Nero	Black Front casing TK 500	Schwarz Frontgehäuse TK 500	Carter frontal TK 500 Noire
1.105.239	2	F-1	Vite TBCE 8x16	Screw 8x16	Schraube 8x16	Vis 8x16
1.105.123	2	E-2	Dado M6	Nut M 6	Mutter M 6	Ecrou M6
1.370.003	2	E-2	Piedino 20x9 M6x18	Foot 20X9 M6X18	Fuß 20x9 M6x18	Pied 20X9 M6X18
2.120.109	1	D-5	Cassetto posteriore TK 500 Azzurro	Blue back drawer TK 500	Blau Hintersch.behälter TK 500 E	Bac arrière TK 500E Blue
2.120.023	1	D-5	Cassetto posteriore TK 500 Grigio	Gray back drawer TK 500	Grau Hintersch.behälter TK 500 E	Bac arrière TK 500E Gris
2.120.202	1	D-5	Cassetto posteriore TK 500 Nero	Black back drawer TK 500	Schwarz Hintersch.behälter TK500E	Bac arrière TK 500E Noir
1.105.304	2	B-4	Rondella 8x17	Washer 8x17	Scheibe 8x17	Rondelle 8x17

COD.	9.600.5002
ESP.	<input checked="" type="checkbox"/> 2 <input type="checkbox"/> 3 <input type="checkbox"/> 4 <input type="checkbox"/> 5
TAVOLA	2 TK 500E
DATA:	0796



Q.M.N.E.	Descrizione	Beschreibung	Part Number					
1	2.125.017A	1	B-4	Guaina alzaspazzola laterale	S	brush sheathing	Seitenbesenstülse	Guaine brosse laterale
2	2.310.123	1	A-4	Mangia trazione TK completa	Traction handle TK	Zugshandriff TK	Poignée traction TK	
3	1.105.229	3	A-2	Registro fornito Ø 7	Turned adjuster Ø 7	Gedreht Regler Ø 7	Barre de réglage tournée Ø 7	
4	1.125.005	1	A-5	Leva comando alzaspazzola later.	Sidebrush drive lever	Seitenbesensteuerhebel	Levier de comand brosse laterale	
5	1.105.162	1	F-1	Vite TEFR 6x16	Screw 6x16	Schraube 6x16	Vis 6x16	
6	1.105.303	6	C-3	Rondella 6x12	Washer 6x12	Scheibe 6x12	Rondelle 6x12	
7	1.320.031	1	D-5	Volantino Ø60 M12x67	Handwheel, Ø 60 12x67	Handrad Ø 60 12x67	Volant Ø 60 12x67	
8	1.110.005	1	D-5	Ghiera zigrinata Ø 40 M12	Knurled ring nut, Ø40 M12	Rändelnutmutter Ø 40 M12	Égaguc moletée Ø 40 M 12	
9	2.125.015	1	C-5	Guaina cavo trazione	Drive cable sheath	Antriebskabelhülse	Guaine câble traction	
10	2.125.015 C	1	C-5	Cavo trazione	Drive cable	Antriebskabel	Câble traction	
11	1.105.485	2	C-5	Grano 5x6	Dowel 5x6	Zapfen 5x6	Ergot 5x6	
12	2.290.004	2	C-5	Vite CH 17 h 28 fissaggio filo	Wire fixing screw	Kabelbefestigungsschraube	Vis fixage câble	
13	1.105.304	7	C-5	Rondella 8x17	Washer 8x17	Scheibe 8x17	Rondelle 8x17	
14	1.105.124	3	C-5	Dado bloccante M8	Block nut M 8	Block mutter M 8	Ecrou bloquant M 8	
15	1.105.238	3	C-5	Vite TBCE 8x25	Screw 8x25	Schraube 8x25	Vis 8x25	
16	2.110.025	1	C-5	Boccola leva tendicinghia	Belt tightener lever's b	Riemenspannrollesbüchse	Douille tendeur de courroie	
17	2.205.005	1	C-5	Molla trazione TK.500	TK 500 traction spring	Zugfeder TK 500	Ressort traction TK 500	
18	2.290.001	1	D-5	Vite bloccaggio rullo tendicinghia	Fixing screw belt tightener roller	Befestigungssch. Riemenspannrolle	Vis de blocage tend. de courroie	
19	2.250.001	1	D-5	Rullo tendicinghia h15	Belt tightener roll h15	Riemenspannrolle h15	Rouleau tendeur de courroie h15	
20	1.390.005	1	D-5	Cuscinetto 608 2RS	Bearing 608 2RS	Kugellager 608 2RS	Palier 608 2RS	
21	1.105.701	1	D-5	Seeger interno Ø 22	Inner snap ring Ø 22	Innenseeger	Bague d'arrêt interne Ø 22	
22	2.130.001	1	D-5	Distanziale Ø12 h 3,5	Spacer	Abstandstück	Entretroise	
23	2.190.011E	1	C-5	Staffa tendicinghia TKE	TKE belt tightener bracket	Riemenspannbügel TKE	Etrier tendeur de courroie TKE	
24	2.290.007	2	C-3	Perno per bilancere	Pin for rocker	Zapfen Kipphebel	Goujon pour culbuteur	
25	2.110.016	2	C-3	Boccola per bilancere	Rocker bushing	Kipphebelbüchse	Douille culbuteur	
26	2.110.017	1	C-4	Bilancere TK 500	TK 500 Rocker	TK 500 Kipphebel	Culbuteur TK 500	
27	1.105.133	6	C-3	Dado bloccante M 6	Block nut M 6	Block mutter M 6	Ecrou bloquant M 6	
28	1.105.094	1	E-3	Vite TE 12x40	Screw 12x40	Schraube 12x40	Vis 12x40	
29	1.250.067	1	E-3	Ruota Ø 100 supporto girevole	Rotary support wheel Ø100	Rad Ø 100 Drehlager	Roue Ø100 support pivotant	
30	1.105.503	6	D-4	Vite TSCE 6x20	Screw 6x20	Schraube 6x20	Vis 6x20	
31	1.105.551	4	C-3	Vite TCCE 5x70	Screw 5x70	Schraube 5x70	Vis 5x70	
32	1.105.122	4	C-3	Dado M5	Nut M5	Mutter M5	Ecrou M5	
33	2.350.027	1	D-3	Spazzola centrale	TK 500 centre brush	Mittbürsten TK 500	Brosse centrale TK 500	
34	2.100.009	1	D-4	Albero spazzola centrale	Brush shaft TK 500	Zentralbesenwelle TK 500	Arbre brosse TK 500	
35	1.105.461	1	D-3	Chiavetta 5x5x15	Key 5X5X15	Keil 5X5X15	Clé 5X5X15	
36	2.130.003	2	E-4	Distanziale albero spazzola	Spacer brush shaft	Besenwellespasstandstück	Entretroise arbre brosse	
37	1.105.482	2	E-4	Grano 6x5	Dowel 6x5	Zapfen 6x5	Ergot 6x5	
38	2.260.028	2	E-5	Supporto cuscinetto Ø 80	Ø80 Bearing support	Ø 80 Kugellagersauflage	Support pour paliers Ø80	
39	1.390.009	2	E-4	Cuscinetto 6202 2RS	Bearing 6202 2RS	Kugellager 6202 2RS	Palier 6202 2RS	
40	1.105.405	3	D-2	Seeger esterno Ø 15	Outer snap ring Ø 15	Ausserseeger Ø 15	Bague d'arrêt externe Ø 15	

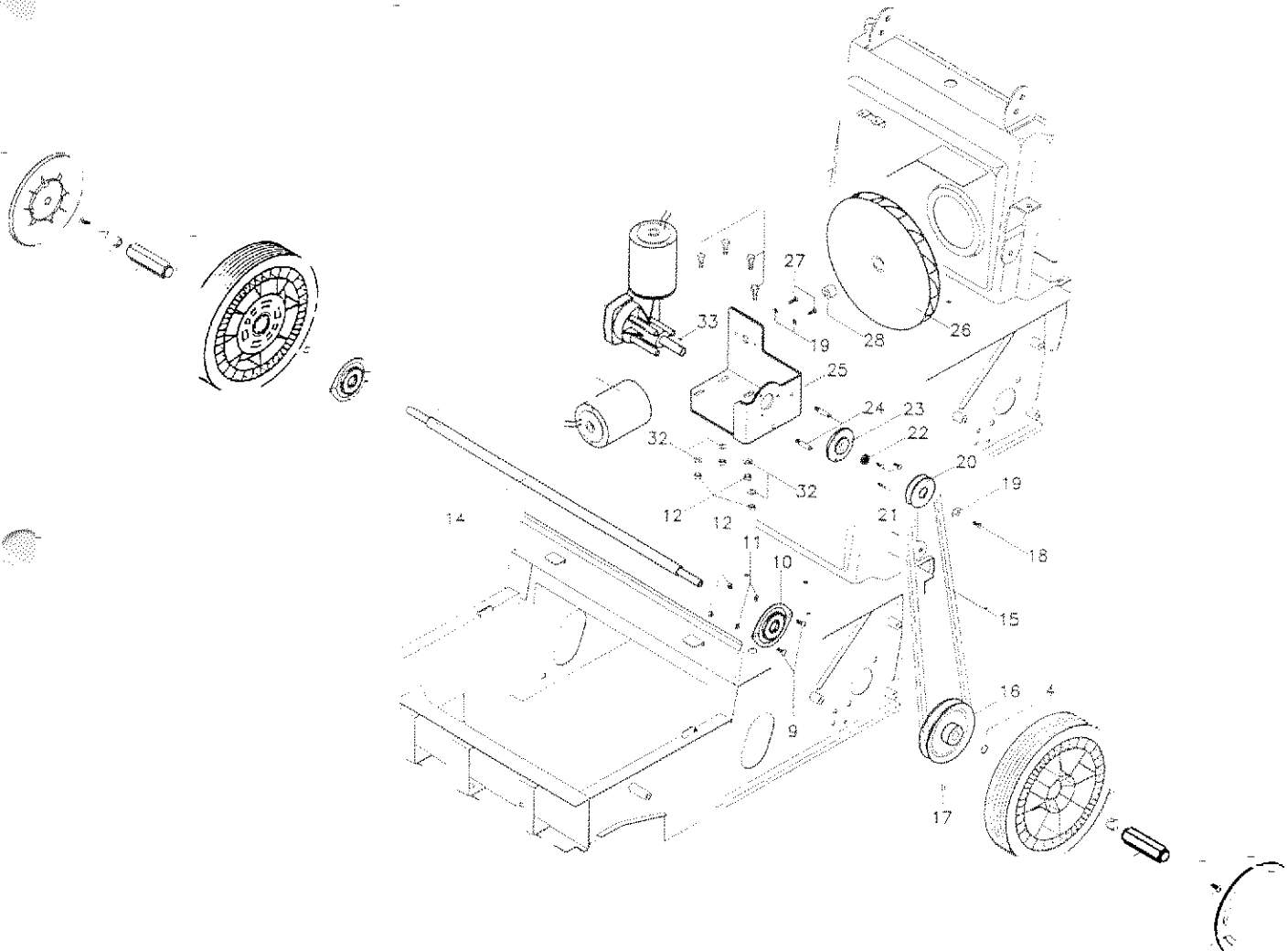
N°	Descrizione	Description	Beschreibung
41	E-5 Seeger esterno Ø 12	Outer snap ring Ø 12	Ausserseeger Ø 12
42	E-5 Perno fissaggio regolazione spazzola	Brush adjusting fixing pivot	Einstellbolzen zentralb.
43	E-5 Staffa regolazione spazzola centrale	Main brush adjustment bracket	Einstellbügel Mittenbürste
44	C-1 Rondella in feltro per braccio laterale	Side arm's felt washer	Seiten auflage filzscheibe
45	D-2 Cuscinetto HK 1012	Bearing HK 1012	Kugellager HK 1012
46	D-2 Vite TBCE 8x10	Screw 8x10	Schraube 8x10
47	C-1 Distanziale albero spazzola laterale	Side brush shaft spacer	Abstandstück f. seitenbesenwelle
48	B-2 Dado M8	Nut M8	Mutter M8
49	D-2 Puleggia spazzola laterale TKE	Pulley	Scheibe
50	F-5 Motoriduttore Ø 77	Gearmotor Ø77	Unterzugsgetriebe Ø77
51	F-1 Rondella 6x24	Washer 6x24	Scheibe 6x24
52	B-3 Guaina spazzola laterale	Side brush sheathing	Seitenbesenstülse
53	B-2 Cavo alzaspazzola laterale	Side brush lifting cable	Bürstenhebekabel, seitlich, nachmass
	B-2 Perno CHI17 h 34	Pin 17x34	Bolzen 17x34
	B-2 Morsetto Ø 7	Clamp Ø7	Klemme Ø7
	B-1 Vite TBCE 8x22	Screw 8x22	Schraube 8x22
	B-2 Leva sollevamento spazzola laterale	Side brush lifting lever	Seitliche Bürstenhebeschel
	B-1 Rondella 8x32	Washer 8x32	Scheibe 8x32
	B-1 Anello cuscinetto spazzola laterale	Ring for the side brush bearing	Seitliche Bürstenlagererring
60	B-1 Sfere 11/32"	Balls 11/32"	Kugeln 11/32"
61	B-1 Anello dentato movimento spaz. later.	TK Side brush mov. toothed ring	TK Seitenbesens Zahnring
62	F-4 Chiavetta 3x3,7	Key 3X3,7	Keil 3X3,7
63	C-1 Boccola portacuscinecetti	Pushing for bearings	Büchse, Nedellagerträger
64	C-1 Cuscinetto 6005 2RS	Bearing 6005 2RS	Kugellager 6005 2RS
65	C-1 Anello dentato folle	Idle toothed ring	Leerzahnring
66	D-1 Seeger esterno Ø 25	Outer snap ring Ø 25	Ausserseeger Ø 25
67	E-3 Dado bloccante M12	Block nut M 12	Block mutter M 12
68	D-2 Distanziale Ø 10 h 15,6	Spacer	Abstandstück
69	D-2 Puleggia Ø 27x15	Pulley Ø 27X15	Scheibe Ø 27X15
70	D-2 Cinghia Ø 8 Sv. 970	Belt Ø 8 x 970	Riemen 8 x 970
71	D-2 Rondella 8x24	Washer 8x24	Scheibe 8x24
72	D-2 Supporto spazzola laterale	Side brush support	Seitenbesenenträger
73	E-1 Flangia trascinamento spazzola later.	Side brush dragging flange	Mittelmehrfanflansch Seitenbesen
74	E-1 Spazzola laterale	Side brush	Seitenbesen
75	D-2 Puleggia Ø 30 x 15	Pulley Ø 30X15	Scheibe Ø 30X15
76	E-1 Vite TEF8 6x10	Screw 6x10	Schraube 6x10
77	E-3 Distanziale	Spacer	Abstandstück
78	C-1 Cuscinetto HK 1412	Bearing HK 1412	Kugellager HK 1412

CODI 4 600.5003

ESP

TAVOLA 3 TK 500ET

DATA: 07 96



Ref. Code	N°	Rif.	Descrizione	Description	Descrizione	Description
2.120.148	2	C-1	Copri ruota Ø 200 Azzurro	Blue wheel's cover Ø 200	Blau Raddeckel Ø 200	Couvre roue Bleu Ø 200
2.120.085	2	C-1	Copri ruota Ø 200 Bianco	White wheel's cover Ø 200	Weiss Raddeckel Ø 200	Couvre roue blanche Ø 200
2.120.149	2	C-1	Copri ruota Ø 200 Grigio	Grey wheel's cover Ø 200	Grau Raddeckel Ø 200	Couvre roue Gris Ø 200
2.120.084	2	C-1	Vite TBCE 6x10	Red wheel's cover Ø 200	Rot Raddeckel Ø 200	Couvre roue Rouge Ø 200
1.105.024	2	C-1	Rondella 6x24	Screw 6x10	Schraube 6x10	Vis 6x10
1.105.025	2	C-1	Scocer esterno Ø 28	Washer 6x24	Scheibe 6x24	Rondelle 6x24
1.105.418	4	C-1	Cuscinetto IHL 1426	Outer ann ring Ø 28	Aussetzseger Ø 28	Bague d'arrêt externe Ø 28
1.390.016	2	C-1	Boccola esagonale	Bearing IHL 1426	Lager IHL 1426	Palier IHL 1426
1.110.033	2	C-1	Cuscinetto IHL 1412	Exagonal bushing	Sechskant BÜchse	Double baguette
1.390.015	2	C-1	Ruota gomina Ø 250x55 nera	Bearing IHL 1412	Nedellager IHL 1412	Palier KHL 1412
2.260.071	2	C-1	Vite TTDE 6x16	Wheel Ø 250x55	Rand Ø 250x55	Roue Ø 250x55
1.105.224	4	D-2	Supporto SBPFL 203	Screw 6x16	Schraube 6x16	Vis 6x16
1.390.011	2	D-2	Rondella 6x12	Support SBPFL 203	Auflage SBPFL 203	Support SBPFL 203
1.105.303	4	D-2	Disco bloccante M6	Washer 6x12	Scheibe 6x12	Rondelle 6x12
1.105.133	8	D-2	Chiavetta 5x5x25	Block nut M 6	Block nut M6	Ecrou bloquant M6
1.105.454	1	D-2	Albero trazione	Key 5x5x25	Keil 5x5x25	Cle 5x5x25
2.100.006	1	D-2	Cinghia Z30 3/4	Drive shaft	Antriebswelle	Arbre traction
1.330.006	1	D-4	Puleggia Ø 140	Belt Z30 3/4	Riemen Z30 3/4	Courroie Z30 3/4
2.250.023	1	E-4	Grano 6x10	Pulley Ø 140	Scheibe Ø 140	Poulie Ø 140
1.105.481	1	E-4	Vite TE 4x12	Dowel 6x10	Mutter 6x10	Ergot 6x10
1.105.001	1	D-4	Rondella 5x20	Screw 4x12	Schraube 4x12	Vis 4x12
1.105.323	3	D-4	Puleggia Ø 55	Washer 5x20	Scheibe 5x20	Rondelle 5x20
2.250.030	1	D-4	Cuscinetto 6000 2RS	Pulley Ø 55	Scheibe Ø 55	Poulie Ø 55
1.105.235	3	D-4	Supporto cuscinetto	Screw 6x20	Schraube 6x20	Vis 6x20
1.390.007	1	D-4	Perno sostegno cinghia	Bearing 6000 2RS	Nedellager 6000 2RS	Palier 6000 2RS
2.260.032	1	D-4	Supporto motori	Bearing support	Nedellagersauflage	Support palier
2.230.005	2	D-4	Supporto motori	Belt support pin	Riemenhaltungsbolzen	Goujon soutien courroie
2.260.026	1	D-4	Ventola Ø 200	Motors support	Motorhalterung	Support moteur
1.190.002	1	C-4	Vite TE 5x16	Fan Ø 200	Laufrad Ø 200	Ventilateur Ø 200
05.022	2	C-4	Boccola per ventola	Screw 5x16	Schraube 5x16	Vis 5x16
2.10.003	1	C-4	Motoriduttore trazione Ø 77	Fan bushing	Laufradbüchse	Douille ventilateur
1.340.002	1	C-3	Motore Ø 77 Albero liscio	Drive gearmotor Ø 77	Antriebsgerätemotor Ø77	Motoriduttore Ø 77
1.105.162	4	C-3	Vite TEFR 6x16	Motor with Ø77 smooth shaft	Motor Ø77 Glatzwelle	Moteur Ø77 arbre simple
1.105.324	4	D-3	Rondella 6x18	Screw 6x16	Schraube 6x16	Vis 6x16
1.105.463	1	D-3	Chiavetta 3x3,7	Washer 6x16	Scheibe 6x16	Rondelle 6x18
				Key 3x3,7	Keil 3x3,7	Cle 3x3,7

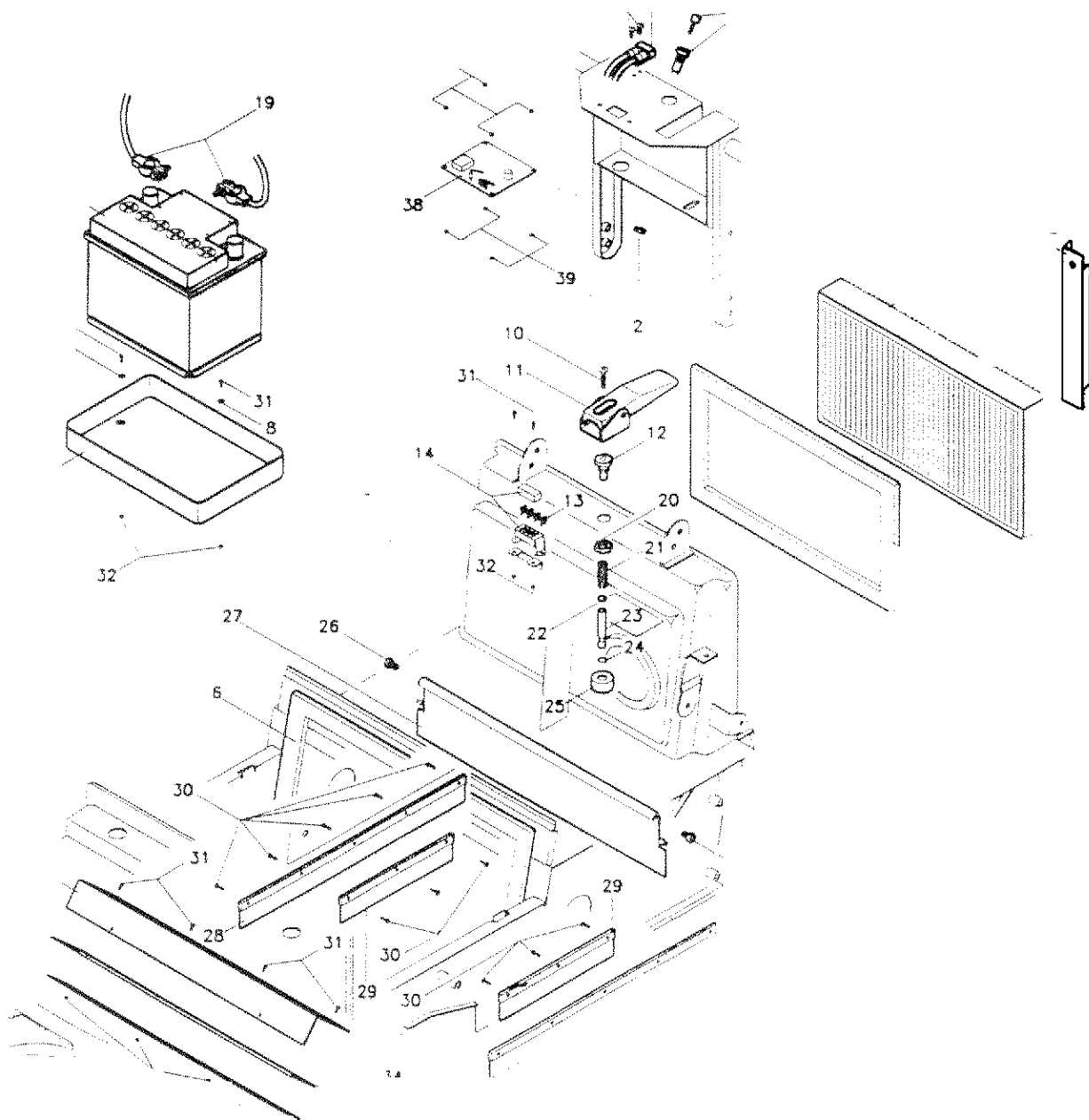
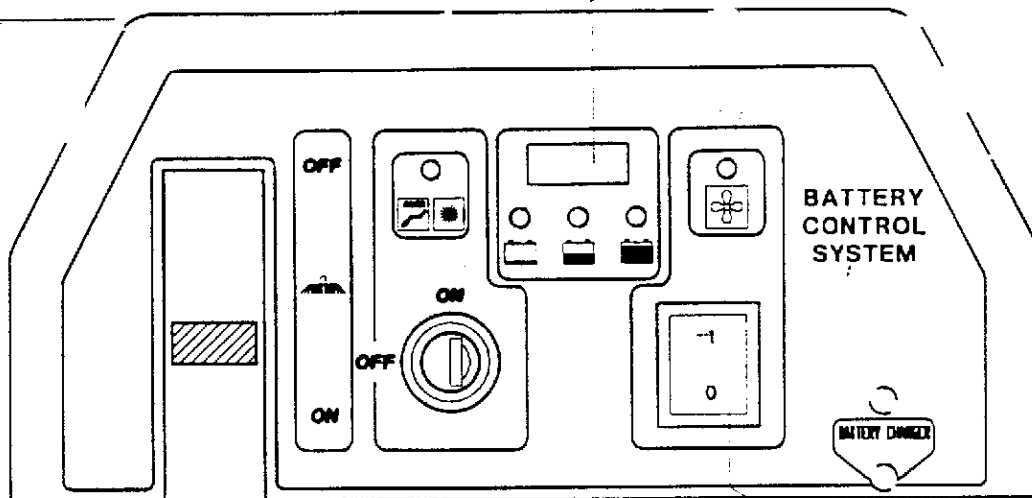
COD. 9.600.5004

ESP. 1 2 3 4 5

TAVOLA 4 TK 500ET

DATA:

.37 | OPTIONAL



Rif. Code	N°	Descrizione	Description	Beschreibung	Description	Descrizione
1	6.911.072	Etichetta cruscotto TK 500 E	TK 500 E dashboard's plate	TK 500 E Armaturenbrettsschild	Plaque tableau de bord TK 500 E	
2	1.380.1001	Interruttore a chiave per batteria	Key switch	Schluëfischalter	Interrupteur à Clé	
3	1.380.009	Interruttore bipolare	Bipolar switch	Zweipoliger Schalter	Interrupteur bipolaire	
4	1.105.363	Vite autofil SLTC 5x20	Screw 5x20	Schraube 5x20	Vis 5x20	
5	1.380.008	Connettore carica batteria	Batt. Charger connector	Batt. Aufladersverbinder	Connecteur Chargeur de batterie	
6	2.160.033	KIT mousse cassetto anteriore	Adhesive kit for front drawer	Satz Klebschaummi Frontschieber	Kit mousse adhesive bac avant	
7	2.160.060	Flap laterale sinistro TK500 / TK 700	Left side flap TK 500/TK700	Linksseitenklappe TK500/TK700	Flap latéral gauche TK500/TK700	
8	1.105.302	Rondella 5x10	Washer 5x10	Scheibe 5x10	Rondelle 5x10	
9	2.120.020	Contentore batteria	Battery container	Batterienbehälter	Conteneur batterie	
10	1.105.504	Vite TSCE 6x25	Screw 6x25	Schraube 6x25	Vis 6x25	
11	2.310.105	Leva scuotifiltro TK completa	Complete filtershaker's lever	Voll. Filterrüttlershebel	Levier complet secouement de filtre	
12	2.165.005	Guida scuotifiltro TK	Filtershaker's rail	Filterrüttlerführung	Siège secouement filtre	
13	1.380.023	Fusibile lamellare 30A	Fuse 30A	Sicherung 30 A	Fusible 30 A	
14	1.380.004	Portafusibili 4 vie + coperchio	Fuse box + cover	Schmelzsicherungsschachtel	Boîte porte-fusibles	
15	1.105.064	Vite TE 8x25	Screw 8x25	Schraube 8x25	Vis 8x25	
16	2.260.027	Staffa fissaggio filtro	Filter fixing bracket	Haltebügel f. Filter	Etrier fixation filtre	
17	2.360.002	Filtro TK 500	Filter TK 500	Filter TK 500	Filter TK 500	
18	2.160.052	KIT mousse per filtro TK 500	Filter gaskets kit TK 500	Filterdichtungen TK 500	Kit joints filtre TK 500	
19	1.180.037	Impianto elettrico TK500	Electrical installation TK 500	Elektrisch Anlage TK500	Installation électrique TK 500	
20	1.105.221	Dado M18	Nut M18	Mutter M18	Ecrou M18	
21	2.205.006	Molla compressione scuotifiltro	Filtershaker' spring	Filterrüttlersfeder	Ressort secouement filtre	
22	1.160.049	Guarnizione OR 106	OR 106 Gasket	OR 106 Dichtung	Joint OR 106	
23	2.230.018	Perno a sfera	Pin	Kugelpföhsbolzen	Goujon	
24	1.105.702	Seeger interno Ø 16	Inner snap ring Ø 16	Innenseger Ø 16	Bague d'arrêt interne Ø 16	
25	2.205.007	Mazza snodata	Articulated bar	Gelenkbär	Barre articulée	
26	1.105.232	Vite TBCE 10x16	Screw 10x16	Schraube 10x16	Vis 10x16	
27	2.160.035	Flap posteriore TK500	Backside flap TK 500	Hinterklappe TK 500	Flap arrière TK 500	
28	2.160.036	Flap laterale destro TK500/TK700	Right side flap TK500/TK700	Rechtsseitenklappe TK500/TK700	Flap latéral droite TK500/TK700	
29	2.160.055	Flap interno telaio TK	Inner flap TK	Innenklappe TK	Flap interne TK	
30	1.105.356	Vite autofil. TC 3,5x9,5	Screw 3,5x9,5	Schraube 3,5x9,5	Vis 3,5x9,5	
31	1.105.002	Vite TE 4x16	Screw 4x16	Schraube 4x16	Vis 4x16	
32	1.105.121	Dado M4	Nut M4	Mutter M4	Ecrou M4	
33	2.150.023	Ferma flap cassetto anteriore	Flap fixer TK 500	Klappenhalter TK 500	Ferme flap TK 500	
34	2.160.042	Gomma cassetto anteriore	Front drawer rubber TK 500	Schmutzbehältersgummi TK 500	Caoutchouc du bac avant TK 500	
35	2.160.043	Para cassetto anteriore	Front drawer para TK 500	Schmutzbehälterspatagummi TK 500	Para du bac avant TK500	
36	1.180.003	Batteria 12V - 80Ah	12V 80 Ah Battery	12V 80 Ah Batterie	Batterie 12V 80 Ah	
37	1.380.1000	TIMER CONTAORE LCD	HOURMETER LCD	STUNDZÄHLER LCD	COMTE-HEURES LCD	TIMER CONTA-HORAS LCD
38	2.180.009	Scheda comando 12V con blocco	12V motor blocking driving	12V Commandzettel blok. motor	Fiche de command bloq. moteur 12V	
39	1.105.122	Dado M 5	Nut M 5	Mutter M 5	Ecrou M 5	

ELENCO COMPONENTI PREASSEMBLATI
 PRE-ASSEMBLED SPAREPARTS LIST
 VERMONTIERTE ERSATZTEILE
 LISTE DES COMPOSANTES PRE-ASSEMBLÉS

Rif.	Code	Descrizione	Description	Beschreibung	Description
TAV.1	2.300.089B	Cassetto anteriore completo Bianco	TK 500 Complete White front drawer	Voll. TK 500 Weiss Vorderschutzbehälter	Bac avant Blanche complét TK 500
	2.300.116	Cassetto anteriore completo Blu	TK 500 Complete Blue front drawer	Voll. TK 500 Blau Vorderschutzbehälter	Bac avant Bleu complét TK 500
	2.300.088R	Cassetto anteriore completo Rosso	TK 500 Complete Red front drawer	Voll. TK 500 Rot Vordersorderträger	Bac avant Rouge complét TK 500
	2.300.091A	Cassetto posteriore completo Azzurro	TK 500 Complete Blue back drawer	Voll. TK 500 Blau Hinterschmutzbehälter	Bac avant Bleu complét TK 500
	2.300.090G	Cassetto posteriore completo Grigio	TK 500 Complete Grey back drawer	Voll. TK 500 Grau Hinterschmutzbehälter	Bac avant Gris complét TK 500
	2.300.113	Cassetto posteriore completo Nero	TK 500 Complete Black back drawer	Voll. TK 500 Schwarz Hinterschmutzbehälter	Bac avant Noire complét TK 500
	2.310.126	Manico TK 500 ET completo	TK 500 ET complete handle	Voll. TK 500 ET Handgriff	Poignée complete TK 500 ET
TAV.2	2.125.009	Leva alzaspazzola laterale completa	Complete brush-lifting lever	Voll. Besenhebershebel	Levier leve-brosse complète
	2.310.127	Spazzola laterale completa PPL 70	Complete side brush PPL 70	Voll. Seitenbesen PPL 70	Brosse latérale complète PPL 70
	2.315.008	Anello dentato folle completo	Complete idle tooth ring	Voll. Leer zahnring	Bague dentée vide complète
	2.315.003	Anello movimento completo	Complete movement ring	Voll. Bewegungsring	Bague de mouvement complète
TAV.3	2.310.099N	Ruota Destra completa	Complete right wheel	Voll. Rechte Rad	Roue droite complète
	2.310.100N	Ruota Sinistra completa	Complete left wheel	Voll. Linke Rad	Roue gauche complète
	2.310.117	Supporto cuscinetto completo	Complete support	Vollständig Auflage	Support complét
TAV.4	2.310.096	KIT flap cassetto anteriore TK 500	TK 500 front drawer flap's kit	TK 500 Vorderträgerklappen Kit	Caoutchouc du bac avant TK 500
	2.310.095	KIT flap telaio TK 500	TK 500 frame flap's kit	TK 500 Rahmenklappen Kit	Caoutchouc du châssis TK 500
	2.160.052	KIT flap filtro TK 500	TK 500 Filter flap's kit	TK 500 Filterklappen Kit	Caoutchouc du filtre TK 500
	2.310.106	Mazza snodata scuotifiltro completa	Complete filtershaker jointed rod	Voll. Gelenkbar	Barre articulée complète