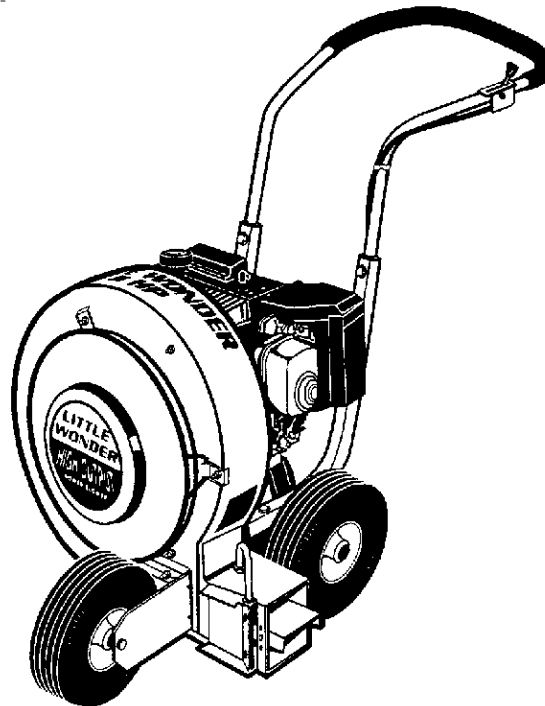


LITTLE WONDER®

Operating and Assembly Instructions, and Parts List for High Output Blower Accessories

For Blower Model	Accessory Description	Catalog Number
9500HO, 9510HO	5 HP Intake Hose Assy	9585
	5 HP Intake Hose Assy w/Bagging Attachment	9586
	5 HP Bagging Attachment	9589
	5 HP Load Hose Assy	9582
9800HO, 9810HO, 9900HO	8,9 HP Intake Hose Assy	9885
	8,9 HP Intake Hose Assy w/Bagging Attachment	9886
	8,9 HP Bagging Attachment	9889
	8,9 HP Load Hose Assy	9882
9111HO	11 HP Intake Hose Assy	9185
	11 HP Intake Hose Assy w/Bagging Attachment	9186
	11 HP Bagging Attachment	9189
	11 HP Load Hose Assy	9182



Warning: The Engine Exhaust from this product contains chemicals known to the State of California to cause cancer, birth defects or other reproductive harm.


Limited Service & Warranty Policy

All Little Wonder Blowers Attachments are guaranteed against defects in material and workmanship for a period of ONE YEAR FROM DATE OF PURCHASE when used for RESIDENTIAL SERVICE, NINETY DAYS FROM DATE OF PURCHASE for COMMERCIAL SERVICE. Any Little Wonder products or parts found to be defective within the warranty period are to be returned to your local authorized Little Wonder dealer.

Transportation charges on parts and units submitted for replacement under this warranty must be borne by purchaser.

THIS WARRANTY shall not be effective if the product has been the subject of misuse, negligence or accident, or, if the product has been repaired or altered by anyone other than your local authorized Little Wonder dealer in any respect which affects its condition or operation.

Little Wonder shall not be liable for any special indirect or consequential damages arising from defective equipment. Any implied warranty, including merchantability or fitness for a particular purpose, shall not extend beyond the written period.

 **Warning:** The Engine Exhaust from this product contains chemicals known to the State of California to cause cancer, birth defects or other reproductive harm.

Specifications, Descriptions, and illustrative material in this literature are as accurate as known at the time of publication, but are subject to change without notice.

LITTLE WONDER®

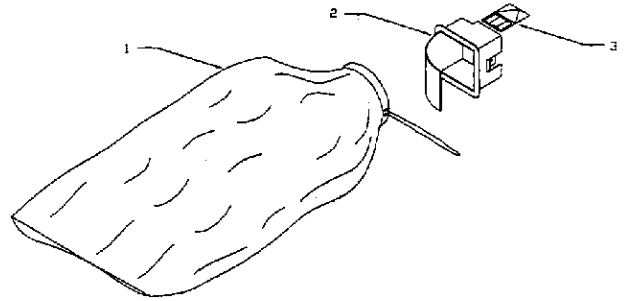
1028 STREET ROAD
SOUTHAMPTON, PA 18966
(215) 357-5110 • FAX (215) 357-8045

▲ WARNING ▲

Install only the attachments made for your Blower Model Number

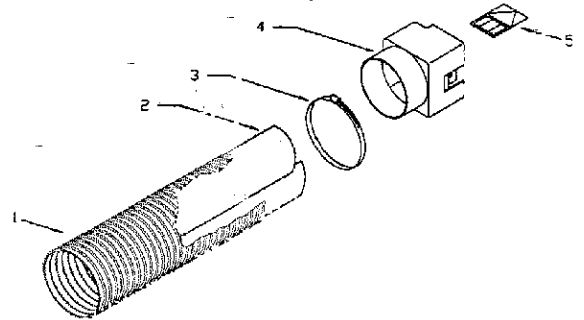
Parts List for Bagging Attachment

Key No.	Part No.	Description	Qty Per Unit
1	984	Polyester Bag	1
2	911015	5 HP Bag Adapter	1
2	911025	8,9 HP Bag Adapter	1
2	911035	11 HP Bag Adapter	1
3	910621	Warning Label	1



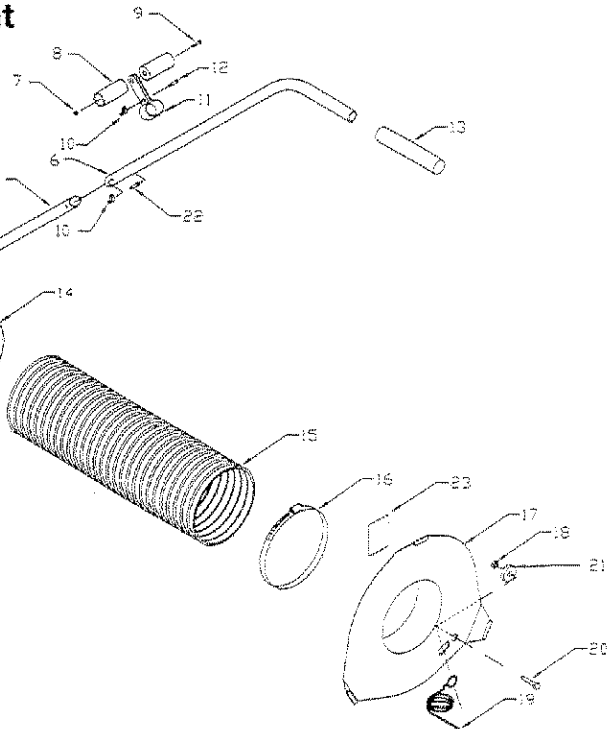
Parts List for Load Hose Attachment

Key No.	Part No.	Description	Qty Per Unit
1	997	20 Ft Hose	1
2	998	Rubber Boot	1
3	990	Clamp	1
4	911010	5 HP Load Hose Adapter	1
4	911020	8,9 HP Load Hose Adapter	1
4	911030	11 HP Load Hose Adapter	1
5	910621	Warning Label	1



Parts List for Intake Hose Attachment

Key No.	Part No.	Description	Qty Per Unit
1	175B	1/4-20 Nut	2
2	328	1/4 Washer	4
3	989-2	Clamp Heavy Duty	1
4	179	1/4-20 x 1 3/4 HHCS	2
5	991	Lower Handle	1
6	992	Upper Handle	1
7	8-58	3/8-16 Nut	1
8	8-20	Roller	2
9	8-57	3/8-16 x 1 Grd 5 Bolt	2
10	8-53	1/4-20 Wing Nut	1
11	8-59	Handle Strap	1
12	8-52	1/4-20 x 1 Bolt	1
13	GD 14	Grip	1
14	986-2	Intake Hose Ring	1
15	987	10 Ft Hose	1
16	990	Clamp	1
17-21	911005	5 HP Intake Hose Adapter	1
17-21	911040	8,9 HP Intake Hose Adapter	1
17-21	911050	11 HP Intake Hose Adapter	1
17	911006	Intake Hose Adapter Plate	1



Key No.	Part No.	Description	Qty Per Unit
18	114C	5/16-18 Nylock Insert Nut	1
19	911007	5 HP Intake Hose Adapter Spring	1
19	911041	8,9 HP Intake Hose Adapter Spring	1
19	911051	11 HP Intake Hose Adapter Spring	1
20	911514	5/16-18 x 1 1/4 GRD 5 Bolt	1
21	911000	Intake Spring Bushing	1
22	378	1/4-20 x 1 1/2 Bolt	1
23	910621	Warning Label	1

Care and Safety

1. READ AND FOLLOW ALL INSTRUCTIONS:

- WARNING** — Do not install or remove attachments while blower is running. Turn off engine to make change over.
- DANGER — KEEP HANDS AWAY FROM AIR INTAKE AND AIR OUTLET CHUTE** -Keep both hands on handles when power is on. Do not attempt to remove material when blower is running.
- WARNING** — **BE SURE UNIT IS FULLY ASSEMBLED** Never operate without all guards and deflectors or accessories in place. Ensure that all nuts, bolts and screws are installed and properly tightened before each use.
- CAUTION —DO NOT ATTEMPT TO USE HOSES WHEN DAMAGED** — Have repairs made by a qualified dealer or repairman. See that only identical replacement parts are used.
- DRESS PROPERLY** — Always wear safety glasses when operating blower and its attachments. Do not wear loose clothing or jewelry. They can be caught in moving parts. Use of sturdy gloves, and non-skid footwear is recommended. Always wear ear protection. Use face filter to avoid breathing dust.
- STAY ALERT** — Watch what you are doing and use common sense. Do not operate blower when fatigued.
- KEEP CHILDREN AND INCAPABLE PERSONS AWAY** — Do not permit children to contact blower. Keep children a safe dis-

tance from work area. Never allow a person mentally ill, under the influence of alcoholic drinks or drugs, or to young in age, to operate the blower. Do not point the blower outlet in the direction of people. Do not allow bystanders or animals in work area.

- DON'T OVER-REACH OR STAND ON UNSTABLE SUPPORT** — Keep good footing and balance at all times.
- MULTIPLE OPERATORS** — Keep a safe distance between two or more operators when working together.
- IN ORDER TO AVOID ENGINE DAMAGE DUE TO OVER-HEATING, DO NOT BLOCK INTAKE OR AIR OUTLET CHUTE OR HOSE ACCESSORIES.**
- For most efficient operation and to extend the life of the hose, use hose in straight line as much as possible. This will enable air and debris to be processed freely through the hose and prevent clogging.
- Labels should be inspected before each use. Replace damaged labels immediately.
- CAUTION — ROCKS, GLASS OR OTHER OBJECTS CAN PENETRATE HOSE AND BAG MATERIAL AND CAUSE INJURY WHEN DISCHARGED. HOSE ATTACHMENTS ARE DESIGNED FOR USE WITH ORGANIC MATERIALS SUCH AS LEAVES, GRASS, STRAW, ETC.**

WARNING

Do Not install or remove attachments while blower is running. Turn off engine to make change over. Disconnect spark plug. Make sure the fan has stopped running.

Instructions for the Intake Hoses

(Fig. 1)

- Assemble handle. Remove cap screw (Key #11) and wing nut (Key #10) from lower handle (Key #8). Insert upper handle (Key #9) over lower handle. Align holes in handles, reinstall cap screw and wing nut and tighten.

WARNING

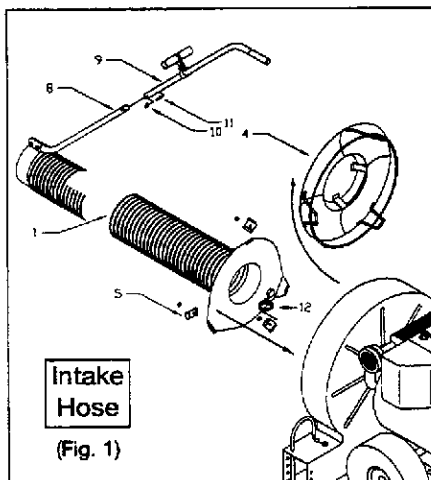
Make sure Blower is off. Disconnect spark plug wire.

- Tilt the unit back onto its handle.
- Loosen three lock nuts on intake guard clamps (Key #5), Swing the clamps free and remove the intake guard (Key #4). Place the intake hose assembly on the housing by lining the three corners of the adapter with the three clamps on the housing and tighten the lock-nuts. Position adapter spring (Key #12) toward bottom of blower housing to assure correct positioning of intake hose handle.

Assembly Instructions for the Bagging Attachments

(Fig. 2)

- Remove the knob and side deflector (Key #7, #6) located on the blower discharge chute. Slide the bag adapter (Key #2) assembly over the chute. Line up the holes in the chute with the clinch nut on the bag adapter assembly, insert knob and tighten.
- Slide the bag over the bag adapter assembly and tighten pull cord.

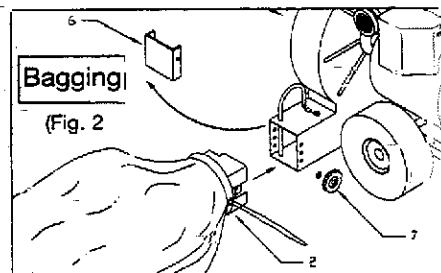


Intake Hose
(Fig. 1)

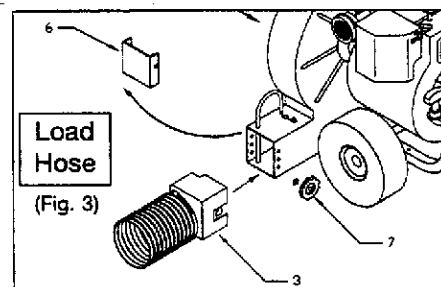
Assembly Instructions for the Load Hose Adapter

(Fig. 3)

- Remove the knob and side deflector (Key #7, #6) located in the blower discharge chute. Slide the loader hose adapter (Key #3) assembly over the chute. Line up the hole in the chute with the clinch nut on the load hose adapter assembly and insert knob and tighten.



Bagging
(Fig. 2)



Load Hose
(Fig. 3)

Note: The Key numbers in these instructions refer ONLY to the drawings shown on this page.