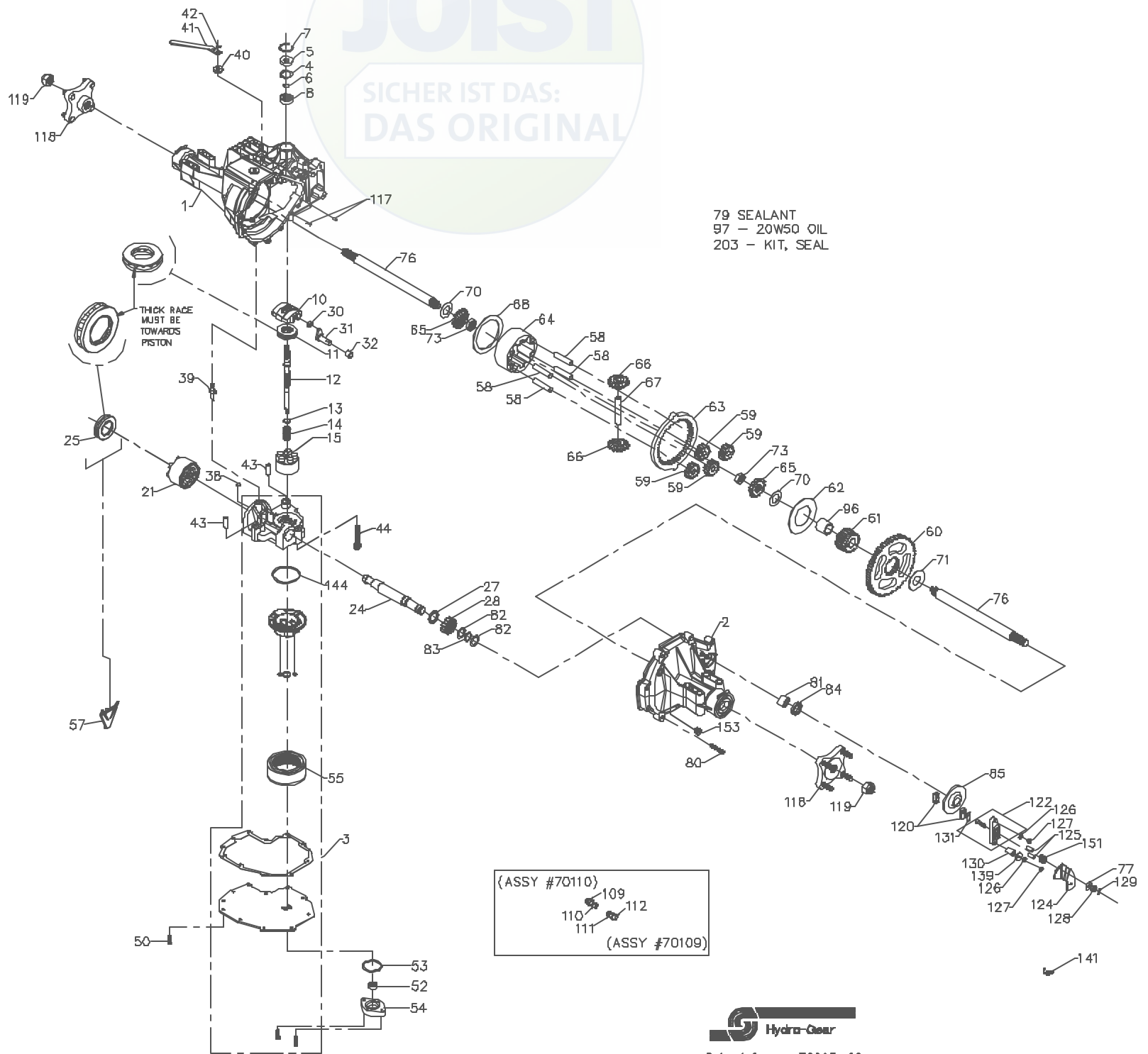


K12111111A
312-3000



K12111111A
312-3000

ITEM #	PART #	QTY	DESCRIPTION	ITEM #	PART #	QTY	DESCRIPTION	ITEM #	PART #	QTY	DESCRIPTION
1	70297	1	MAIN HOUSING ASSEMBLY	31	2003005	1	TRUNNION ARM	111	50217	1	VENT
		1	MAIN HOUSING	32	2003009	1	TRUNNION BUSHING	112	50216	1	CAP
		1	LIP SEAL	38	2003554	1	BYPASS PLATE	117	9004800-2506	2	STD HDLS PIN
		1	FLANGE BEARING	39	2003555	1	BYPASS ACTUATOR	118	70314	2	HUB ASSEMBLY
		1	BALL BRG 6205-1	40	45074	1	LIP SEAL	119	50863	2	NUT, HEX 3/4-16
		1	SEAL 1"ID x 2.0472" x 0.375"	41	50929	1	BYPASS ARM	120	44132	2	PUCK, BRAKE
		1	RETAINING RING	42	44870	1	RETAINING RING	122	50879	1	YOKE, BRAKE ASSEMBLY
2	70298	1	R.H. HOUSING ASSEMBLY	43	50002	2	PIN	124	50936	1	ARM, BRAKE
		1	R.H. HOUSING	44	50016	3	SCREW	125	44127	2	PINS, BRAKE
		1	FLANGE BEARING	49	50783	1	GASKET, LOWER	126	43177	2	LOCKWASHER, 1/4"
		1	BALL BRG 6205-1	50	50437	11	SCREW-SELF TAPPING	127	43178	2	NUT, 1/4-20
		1	SEAL 1"ID x 2.0472" x 0.375"	52	50273	1	GEROTOR ASSEMBLY	128	44142	1	NUT, CASTLE
		1	RETAINING RING	53	9004101-1340	1	O-RING	129	44101	1	COTTER PIN
		2	O RING	54	50260	1	GEROTOR COVER	130	23711	1	SPACER
		1	RIB NECK BOLT, 2"	55	70380	1	MANIFOLD FILTER KIT	131	44134	1	PUCK PLATE
		1	RIB NECK BOLT, 3"	56	50958	1	CHARGE MANIFOLD	139	44278	1	WASHER, 7/8"OD X .265"ID X 125 THK
3	70379	1	MANIFOLD KIT	57	50796	1	RETAINER, MOTOR BEARING	141	50884	1	SPRING, BRAKE ARM BIAS
		1	CENTER SECTION ASSEMBLY	58	50776	4	PIN, CARRIER	144	70381	1	MANIFOLD O-RING KIT
		2	CAPSCREW M6X1-25	59	50763	4	15T PLANET GEAR	145	2000029	1	CHARGE RELIEF SPRING
		1	LOWER COVER	60	50648	1	67T SPUR GEAR	146	50961	1	BALL
		1	FILTER	61	50645	1	21 TOOTH SUN GEAR	151	50919	1	COMP. SPRING, BRAKE ANTI-DRAW
		1	CHARGE MANIFOLD	62	50789	1	PLANET THRUST PLATE	153	9005110-5600	1	PLUG, STRAIGHT THREAD
		1	O-RING 2.987 ID 0.103 THK	63	50764	1	S1T RING GEAR	156	50976	1	MANIFOLD O-RING
		2	SCREW O-RING	64	50785	1	PLANETARY CARRIER	157	50977	2	SCREW O-RING
4	2003018	1	SPACER	65	50647	2	MITER GEAR, DIFF. (SPLINED)	203	70492	1	KIT, SEAL
5	9008000-0128	1	SEAL-LIP	66	50648	2	MITER GEAR, DIFF.			1	SEAL-LIP 15X5X37
6	2003016	1	WIRE RETAINING RING	67	50766	1	SHAFT, DIFFERENTIAL			1	SEAL-LIP 12X25X7
7	2003052	1	RETAINING RING	68	50787	1	DIFF. THRUST PLATE			1	SEAL-LIP 10X25X7
8	2003043	1	BALL BEARING	70	50770	2	WASHER			1	O-RING, 103X1 862
10	2003087	1	VARIABLE SWASHPLATE	71	50788	1	WASHER			2	SEAL 25X52X10
11	50551	1	THRUST BEARING 30 X 52 X 13	73	50791	2	HEX JAM NUT, 5/8-18			1	LIP SEAL (.875 I.D.X1.3 O.D. X.25)
12	50795	1	INPUT SHAFT	76	50825	2	SHAFT, AXLE			4	O-RING, .070X.239
13	2003017	1	BLOCK THRUST WASHER	77	44130	1	WASHER			1	KIT, O-RING, MANFOLD
14	2003014	1	BLOCK SPRING	79	50928	1	SEALANT				
15	70331	1	10cc CYLINDER BLOCK ASSEMBLY	80	50888	9	TORX HEAD SCREW, 5/16-18				
		1	10cc CYLINDER BLOCK	81	44752	1	NEEDLE BEARING (SCE1412)				
		5	10cc PISTON	82	50777	2	WASHER				
		5	10cc PISTON SPRING	83	50775	1	RETAINING RING				
		5	PISTON SEAT WASHER	84	50773	1	LIP SEAL (.875" D x 1.30 D x 25)				
21	70082	1	21cc CYLINDER BLOCK ASSEMBLY	85	50779	1	BRAKE DISK				
		1	21cc CYLINDER BLOCK	96	50888	1	SLEEVE BEARING				
		7	PISTON SEAT WASHER	97		122 oz	OIL-20W50				
		7	21cc PISTON	109	50218	1	O-RING				
		7	21cc PISTON SPRING	110	50219	1	FITTING				
24	50882	1	OUTPUT (MOTOR) SHAFT								
25	50552	1	THRUST BEARING 42 X 68 X 16								
27	50774	1	SPACER								
28	50861	1	16T PINION GEAR								
29	50975	2	CAPSCREW, M6 X 1-22								
30	2000015	1	SLOT GUIDE								