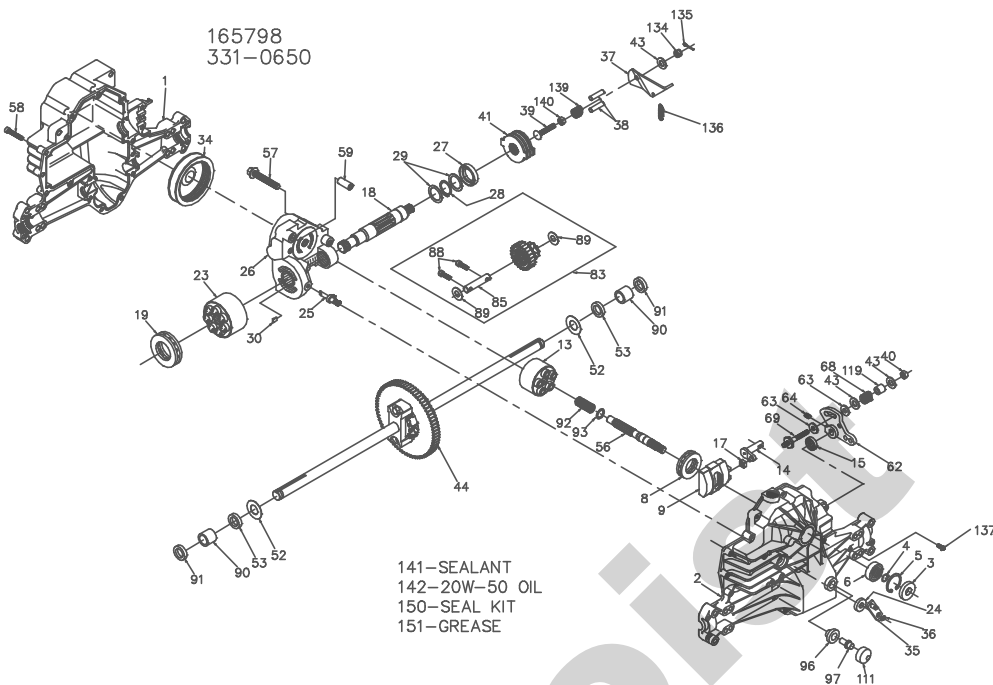


165798  
331-0650



141-SEALANT  
142-20W-50 OIL  
150-SEAL KIT  
151-GREASE

Hydro-Gear  
P.1 of 2. 70387-S1

165798  
331-0650

ITEM NO	HYDRO-GEAR PART NO	QTY	DESCRIPTION	ITEM NO	HYDRO-GEAR PART NO	QTY	DESCRIPTION
1	50074RM	1	HOUSING, LOWER	44	70226	1	DIFFERENTIAL ASSEMBLY
2	70281	1	ASSEMBLY, UPPER HOUSING			1	GEAR-DIFF. 50T
		1	HOUSING, UPPER			2	DIFF. COVER
		1	BEARING-TRUNNION JOURNAL			2	GEAR-BEVEL 14T
3	9008000-0128	1	SEAL-LIP			2	GEAR-PLANET 10T
4	2003016	1	RING-WIRE RETAINING			2	RING RETAINING
5	2003052	1	RING-RETAINING			2	BOLT- 5/16-24 X 2-1/4
6	2003043	1	BEARING-SHAFT BALL			1	AXLE SHAFT, RH
8	50551	1	BEARING-THRUST 30X52X13			1	AXLE SHAFT, LH
9	2003087	1	SWASHPLATE-VARIABLE			1	SPACER, DIFF.
13	70331	1	BLOCK-CYLINDER ASSY.			1	
		5	PISTON	52	44875	2	WASHER-3/4 X 1.5 X .13
		5	PISTON SPRING	53	45076	2	SEAL-.75 X 1.25 X .250
		5	PISTON SPRING WASHER	56	50005	1	SHAFT-INPUT
14	2003005	1	ARM-TRUNNION	57	50016	3	BOLT, 3/8-24 X 2.5
15	9008000-0126	1	SEAL-LIP	58	44876	21	BOLT- 1/4-20 X 1.38
17	2000018	1	GUIDE-SLOT	59	50002	2	PIN-.5 OD X .43 ID X .750
18	50449	1	SHAFT-MOTOR	62	50254	1	ARM-CONTROL
19	50552	1	BEARING-THRUST 42X68X16	63	50281	2	PLUCK-DAMPENER
23	70082	1	BLOCK-CYLINDER (MOTOR) ASSY	64	50018	1	SET SCREW
		7	BLOCK-CYLINDER	68	50277	1	SPRING
		7	PISTON	69	50284	1	5/16-24 STUD
		7	PISTON SPRING	83	70292	1	JACK SHAFT/PINION GEAR ASSEMBLY
		7	PISTON SPRING WASHER			1	17-23T CLUSTER ASSEMBLY
24	45074	1	SEAL-LIP 10X25X7			1	JACK SHAFT
25	2003555	1	ACTUATOR-BYPASS			2	CAPSCREW 6M X 20 LG
26	70250	1	CENTERSECTION ASSEMBLY			2	WASHER 7/16 X 1 X .5
		1	PLATE-BYPASS	85	50559	1	JACK SHAFT
		2	CHECK PLUG ASSEMBLY	88	50154	2	CAPSCREW 6M X 20 LG
		1	CENTER SECTION	89	50132	2	WASHER 7/16 X 1 X .5
		1	DV BEARING	90	50118	2	SLEEVE BEARING
		3	BOLT-3/8-24 X 2.5	91	50941	2	SEAL, LIP 0.75X1.00X0.158
		1	BUSHING	92	2003014	1	SPRING, BLOCK
27	45075	1	SEAL-LIP 28X42X8	93	2003017	1	WASHER, BLOCK THRUST
28	50007	1	RING-RETAINING	96	50133	1	BUSHING, VENT
29	44872	2	WASHER-28X35X1	97	50134	1	VENT
30	2003554	1	BYPASS PLATE	111	50196	1	VENT
34	44964	1	OIL FILTER ELEMENT	119	50278	1	SPACER
35	50270	1	ARM-BYPASS	134	44142	1	CASTLE NUT, 5/16-24
36	44870	1	RING-RETAINING	135	44101	1	COTTER PIN
37	51110	1	ARM, BRAKE	136	50384	1	EXTENSION SPRING
38	44891	2	PIN-ACTUATING	137	50653	1	SCREW, 10-32 X 1/2
39	50316	1	BOLT-5/16-18 X 1-3/4	139	50431	1	COMPRESSION SPRING
40	50317	1	NUT-HEX LOCK 5/16-24 UNJC	140	50289	1	NUT, HEX 5/16-18
41	70135	1	BRAKE ROTOR/STATOR KIT	141	50928	1	SEALANT
		4	STATOR-BRAKE	142		82oz	20W-50 OIL
		2	ROTOR-BRAKE	150	70312	1	SEAL KIT
43	44130	3	WASHER-7/16 X 7/8 X .060	151	50416	1	GREASE

Hydro-Gear  
P.2 of 2. 70387-S1