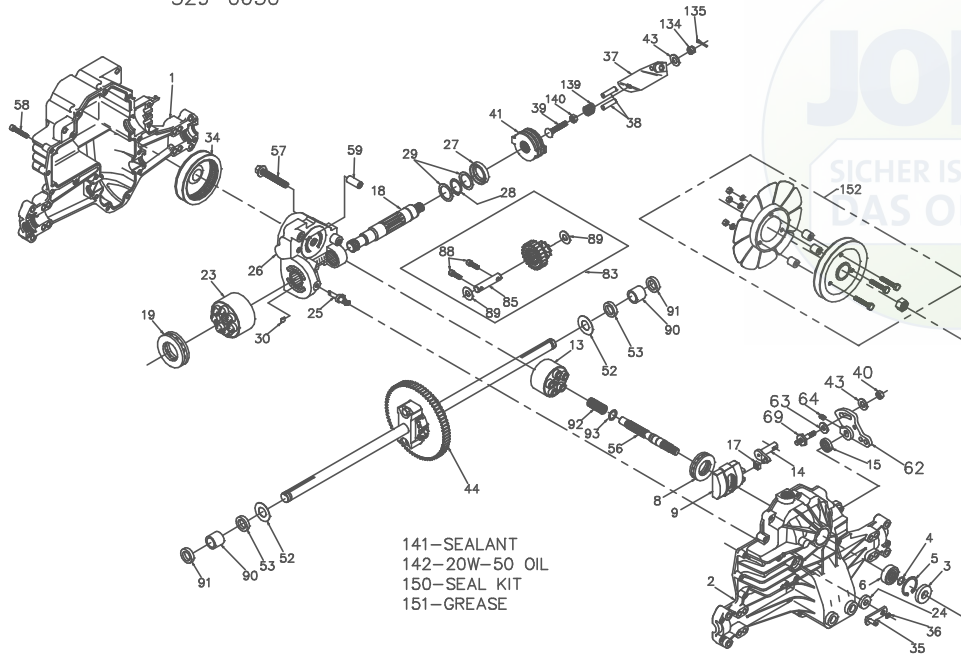


329-0650



141-SEALANT
 142-20W-50 OIL
 150-SEAL KIT
 151-GREASE



P.1 of 2. 70290-S8

329-0650

ITEM NO	HYDRO-GEAR PART NO	QTY	DESCRIPTION	ITEM NO	HYDRO-GEAR PART NO	QTY	DESCRIPTION
1	50074RM	1	HOUSING, LOWER	44	70226	1	DIFFERENTIAL ASSEMBLY
2	70255	1	ASSEMBLY, UPPER HOUSING	1		1	GEAR-DIFF. 50T
		1	HOUSING, UPPER	2		2	DIFF. COVER
3	9008000-0128	1	BEARING-TRUNNION JOURNAL	2		2	SEAL-BEVEL 14T
4	2003016	1	RING-WIRE RETAINING	2		2	GEAR-PLANET 10T
5	2003052	1	RING-RETAINING	2		2	RING, RETAINING
6	2003043	1	BEARING-SHAFT BALL	2		2	BOLT- 5/16-24 X 2-1/4
8	50551	1	BEARING-THRUST 30X52X13	1		1	AXLE SHAFT, RH
9	2003087	1	SWASHPLATE-VARIABLE	1		1	AXLE SHAFT, LH
13	70331	1	BLOCK-CYLINDER ASS'Y.	1		1	SPACER, DIFF.
		1	BLOCK-CYLINDER	52	44875	2	WASHER-3/4 X 1.5 X .13
		5	PISTON	53	45076	2	SEAL-.75 X 1.25 X .250
		5	PISTON SPRING	56	50005	1	SHAFT-INPUT
		5	PISTON SPRING WASHER	57	50016	3	BOLT, 3/8-24 X 2.5
14	2003005	1	ARM-TRUNNION	58	44876	21	BOLT- 1/4-20 X 1.38
15	9008000-0128	1	SEAL-LIP	59	50002	2	PIN-.5 OD X .43 ID X .750
17	2000015	1	GUIDE-SLOT	62	45007	1	ARM-CONTROL
18	50449	1	SHAFT-MOTOR	63	50281	1	PUCK-DAMPENER
19	50552	1	BEARING-THRUST 42X68X16	64	50018	1	SET SCREW
23	70082	1	BLOCK-CYLINDER (MOTOR) ASSY	69	50426	1	5/16-24 STUD
		1	BLOCK-CYLINDER	83	70292	1	JACK SHAFT/PINION GEAR ASSEMBLY
		7	PISTON			1	17T-23T CLUSTER ASSEMBLY
		7	PISTON SPRING			1	JACK SHAFT
		7	PISTON SPRING WASHER	2		2	CAPSCREW 6M X 20 LG
24	45074	1	SEAL-LIP 10X25X7	85	50559	1	JACK SHAFT
25	2003555	1	ACTUATOR-BYPASS	88	50154	2	CAPSCREW 6M X 20 LG
26	70250	1	CENTERSECTION ASSEMBLY	89	50132	2	WASHER 7/16 X 1 X .5
		1	PLATE-BYPASS	90	50118	2	SLEEVE BEARING
		2	CHECK PLUG ASSEMBLY	91	50941	2	SEAL, LIP 0.75X1.00X0.158
		1	CENTER SECTION	92	2003014	1	SPRING, BLOCK
		1	DU BEARING	93	2003017	1	BUSHING
		3	BOLT-3/8-24 X 2.5	134	44142	1	CASTLE NUT, 5/16-24
27	45075	1	SEAL-LIP 26X42X8	135	44101	1	COTTER PIN
28	50007	1	RING-RETAINING	139	50431	1	COMPRESSION SPRING
29	44872	2	WASHER-26X35X1	140	50269	1	NUT, HEX 5/16-18
30	2003554	1	BYPASS PLATE	141	50928	1	SEALANT
34	44984	1	OIL FILTER ELEMENT	142		142	20W-50 OIL
35	50270	1	ARM-BYPASS	150	70312	81oz	SEAL KIT
36	44870	1	RING-RETAINING	151	50416	1	GREASE
37	23710	1	ARM-ACTUATING	152	70459	1	KIT, FAN/PULLEY
38	44891	2	PIN-ACTUATING			1	JAM NUT
39	50316	1	BOLT-5/16-18 X 1-3/4			1	FAN
40	50317	1	NUT-HEX LOCK NUT 5/16-24			3	PULLEY
41	70135	1	BRAKE ROTOR/STATOR KIT			3	SCREW, 1/4-20 X 1-1/2
		4	STATOR-BRAKE			3	NUT, 1/4-20
		2	ROTOR-BRAKE			3	LOCKWASHER
43	44130	2	WASHER-7/16 X 7/8 X .060			3	SPACER



P.2 of 2. 70290-S8