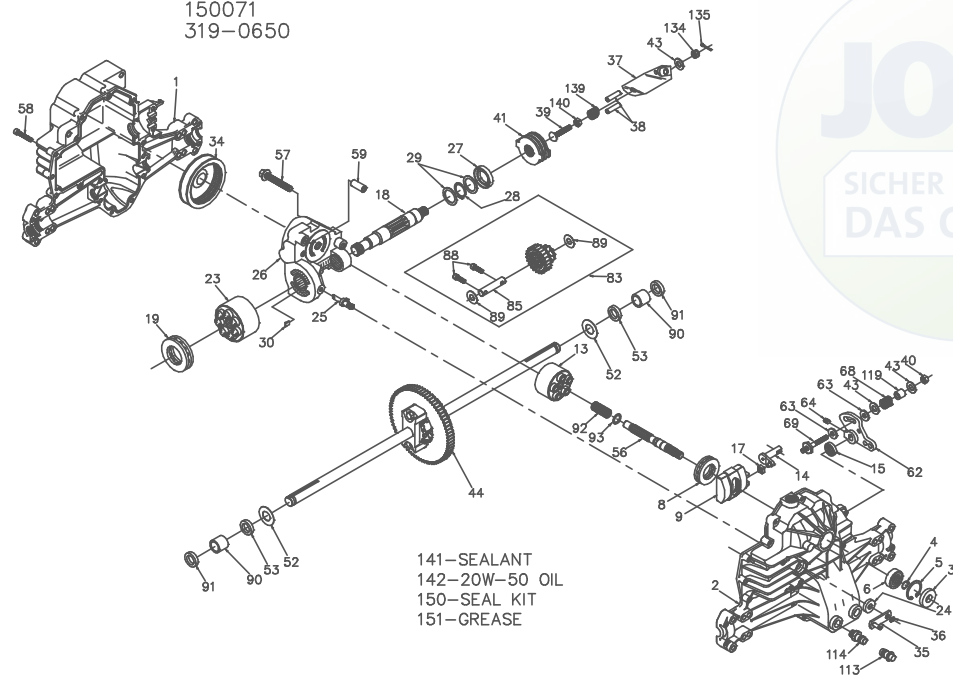


150071  
319-0650



141-SEALANT  
142-20W-50 OIL  
150-SEAL KIT  
151-GREASE

150071  
319-0650

ITEM NO	HYDRO-GEAR PART NO	QTY	DESCRIPTION	ITEM NO	HYDRO-GEAR PART NO	QTY	DESCRIPTION
1	5007ARM	1	HOUSING, LOWER	44	70226	1	DIFFERENTIAL ASSEMBLY
2	70255	1	ASSEMBLY, UPPER HOUSING	1		1	GEAR-DIFF. 50T
3	8008000-0128	1	HOUSING, UPPER	2		2	DIFF. COVER
4	2003016	1	BEARING-TRUNNION JOURNAL	2		2	GEAR-BEVEL 14T
5	2003052	1	SEAL-LIP	2		2	GEAR-PLANET 10T
6	2003043	1	RING-WIRE RETAINING	2		2	RING, RETAINING
8	50551	1	RING-RETAINING	2		2	BOLT- 5/16-24 X 2-1/4
9	2003087	1	BEARING-SHAFT BALL	1		1	AXLE SHAFT, RH
13	70331	1	BEARING-THRUST 30X52X13	1		1	AXLE SHAFT, LH
		1	SWASHPLATE-VARIABLE	1		1	SPACER, DIFF.
		1	BLOCK-CYLINDER ASS'Y.	2		2	WASHER-3/4 X 1.5 X .13
		5	BLOCK-CYLINDER	2		2	SEAL- .75 X 1.25 X .250
		5	PISTON	2		2	SHAFT-INRUT
		5	PISTON SPRING	3		3	BOLT, 3/8-24 X 2.5
		5	PISTON SPRING WASHER	21		21	BOLT- 1/4-20 X 1.38
14	2003005	1	ARM-TRUNNION	2		2	PIN- .5 OD X .43 ID X .750
15	9008000-0126	1	SEAL-LIP	1		1	ARM-CONTROL
17	2000015	1	GUIDE-SLOT	2		2	PUCK-DAMPENER
18	50449	1	SHAFT-MOTOR	1		1	SET SCREW
19	50552	1	BEARING-THRUST 42X68X16	1		1	SPRING
23	70082	1	BEARING-THRUST 30X52X13	68		68	5/16-24 STUD
		1	BLOCK-CYLINDER (MOTOR) ASSY	83		83	JACK SHAFT/PINION GEAR ASSEMBLY
		1	BLOCK-CYLINDER	1		1	17-23T CLUSTER ASSEMBLY
		7	PISTON	2		2	JACK SHAFT
		7	PISTON SPRING	1		1	CAPSCREW 6M X 20 LG
		7	PISTON SPRING WASHER	2		2	WASHER 7/16 X 1 X .5
24	45074	1	SEAL-LIP 10X25X7	85	50559	1	JACK SHAFT
25	2003555	1	ACTUATOR-BYPASS	88	50154	2	CAPSCREW 6M X 20 LG
26	70250	1	CENTERSSECTION ASSEMBLY	1		1	CENTER SECTION
		1	PLATE-BYPASS	1		1	DU BEARING
		2	CHECK PLUG ASSEMBLY	3		3	BOLT-3/8-24 X 2.5
		1	CENTER SECTION	1		1	BUSHING
		1	DU BEARING	1		1	SEAL-LIP 26X42X8
		3	BOLT-3/8-24 X 2.5	28	50007	1	RING-RETAINING
		1	BUSHING	29	44872	2	WASHER-26X35X1
27	45075	1	SEAL-LIP 26X42X8	30	2003554	1	BYPASS PLATE
28	50007	1	RING-RETAINING	34	44884	1	OIL FILTER ELEMENT
29	44872	2	WASHER-26X35X1	35	50270	1	ARM-BYPASS
30	2003554	1	BYPASS PLATE	36	44870	1	RING-RETAINING
34	44884	1	OIL FILTER ELEMENT	37	23710	1	ARM-ACTUATING
35	50270	1	ARM-BYPASS	38	44891	2	PIN-ACTUATING
36	44870	1	RING-RETAINING	39	50316	1	BOLT-5/16-18 X 1-3/4
37	23710	1	ARM-ACTUATING	40	50317	1	NUT-HEX LOCK 5/16-24 UNJC
38	44891	2	PIN-ACTUATING	41	70135	1	BRAKE ROTOR/STATOR KIT
39	50316	1	BOLT-5/16-18 X 1-3/4	4		4	STATOR-BRAKE
40	50317	1	NUT-HEX LOCK 5/16-24 UNJC	2		2	ROTOR-BRAKE
41	70135	1	BRAKE ROTOR/STATOR KIT	3		3	WASHER-7/16 X 7/8 X .060
43	44130	3	WASHER-7/16 X 7/8 X .060				
				85		85oz	
				119	50278	1	SPACER
				134	44162	1	CASTLE NUT, 5/16-24
				135	44101	1	COTTER PIN
				139	50431	1	COMPRESSION SPRING
				140	50289	1	NUT,HEX 5/16-18
				141	50928	1	SEALANT
				142			20W-50 OIL
				150	70312	1	SEAL KIT
				151	50416	1	GREASE