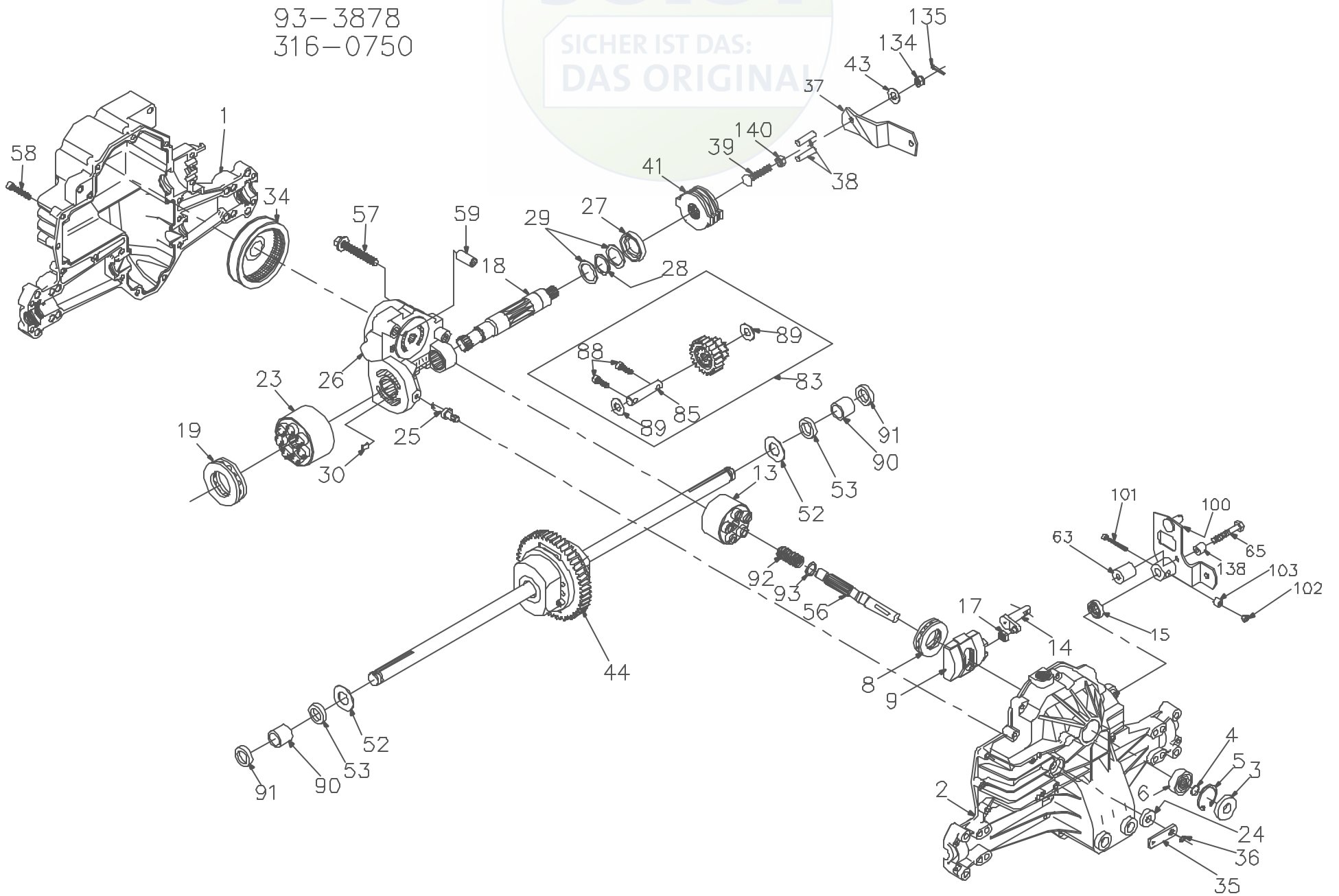




93-3878
316-0750



P.1 of 2. 70196-S13

93-3878
316-0750

| ITEM NO | HYDRO-GEAR PART NO | QTY | DESCRIPTION |
|---------|--------------------|-----|-----------------------------|
| 1 | 50074RM | 1 | HOUSING, LOWER |
| 2 | 70255 | 1 | ASSEMBLY, UPPER HOUSING |
| | | 1 | HOUSING, UPPER |
| | | 1 | BEARING-TRUNNION JOURNAL |
| 3 | 9008000-0128 | 1 | SEAL-LIP |
| 4 | 2003016 | 1 | RING-WIRE RETAINING |
| 5 | 2003052 | 1 | RING-RETAINING |
| 6 | 2003043 | 1 | BEARING-SHAFT BALL |
| 8 | 50551 | 1 | BEARING-THRUST 30X52X13 |
| 9 | 2003087 | 1 | SWASHPLATE-VARIABLE |
| 13 | 70331 | 1 | BLOCK-CYLINDER ASS'Y. |
| | | 1 | BLOCK-CYLINDER |
| | | 5 | PISTON |
| | | 5 | PISTON SPRING |
| | | 5 | PISTON SPRING WASHER |
| 14 | 2003005 | 1 | ARM-TRUNNION |
| 15 | 9008000-0126 | 1 | SEAL-LIP |
| 17 | 2000015 | 1 | GUIDE-SLOT |
| 18 | 50449 | 1 | SHAFT-MOTOR |
| 19 | 50552 | 1 | BEARING-THRUST 42X68X16 |
| 23 | 70082 | 1 | BLOCK-CYLINDER (MOTOR) ASSY |
| | | 1 | BLOCK-CYLINDER |
| | | 7 | PISTON |
| | | 7 | PISTON SPRING |
| | | 7 | PISTON SPRING WASHER |
| 24 | 45074 | 1 | SEAL-LIP 10X25X7 |
| 25 | 2003555 | 1 | ACTUATOR-BYPASS |
| 26 | 70250 | 1 | CENTERSECTION ASSEMBLY |
| | | 1 | PLATE-BYPASS |
| | | 2 | CHECK PLUG ASSEMBLY |
| | | 1 | CENTER SECTION |
| | | 1 | DU BEARING |
| | | 3 | BOLT-3/8-24 X 2.5 |
| | | 1 | BUSHING |
| 27 | 45075 | 1 | SEAL-LIP 26X42X8 |
| 28 | 50007 | 1 | RING-RETAINING |
| 29 | 44872 | 2 | WASHER-26X35X1 |
| 30 | 2003554 | 1 | BYPASS PLATE |
| 34 | 44964 | 1 | OIL FILTER ELEMENT |
| 35 | 44866 | 1 | ARM-BYPASS |
| 36 | 44870 | 1 | RING-RETAINING |
| 37 | 50131 | 1 | ARM-ACTUATING |
| 38 | 44891 | 2 | PIN-ACTUATING |
| 39 | 50316 | 1 | BOLT-5/16-18 X 1-3/4 |
| 41 | 70135 | 1 | BRAKE ROTOR/STATOR KIT |
| | | 4 | STATOR-BRAKE |
| | | 2 | ROTOR-BRAKE |

| ITEM NO | HYDRO-GEAR PART NO | QTY | DESCRIPTION |
|---------|--------------------|------|---------------------------------|
| 43 | 44130 | 1 | WASHER-7/16 X 7/8 X .060 |
| 44 | 70130 | 1 | DIFFERENTIAL ASSEMBLY |
| | | 1 | GEAR-DIFF. 50T |
| | | 2 | DIFF COVER |
| | | 2 | GEAR-BEVEL 15T |
| | | 2 | GEAR-PLANET 15T |
| | | 2 | JAM NUT |
| | | 4 | BOLT- 1/4-20 X 1.38 |
| | | 1 | AXLE SHAFT, RH |
| | | 1 | AXLE SHAFT, LH |
| | | 2 | BEARING, BLOCK |
| | | 1 | SHAFT |
| 52 | 50152 | 2 | WASHER-3/4 X 1.5 X .03 |
| 53 | 45076 | 2 | SEAL- .75 X 1.25 X .250 |
| 56 | 2003021 | 1 | SHAFT-INPUT |
| 57 | 50016 | 3 | BOLT, 3/8-24 X 2.5 |
| 58 | 44876 | 21 | BOLT- 1/4-20 X 1.38 |
| 59 | 50002 | 2 | PIN- .5 OD X .43 ID X .750 |
| 63 | 50156 | 1 | SPACER |
| 65 | 44123 | 1 | BOLT, 1/4-20 X 2.0 |
| 83 | 70132 | 1 | JACK SHAFT/PINION GEAR ASSEMBLY |
| | | 1 | 23T GEAR |
| | | 1 | 10T PINION |
| | | 1 | JACK SHAFT |
| | | 2 | CAPSCREW 6M X 20 LG |
| | | 2 | WASHER 7/16 X 1 X .5 |
| 85 | 50559 | 1 | JACK SHAFT |
| 88 | 50154 | 2 | CAPSCREW 6M X 20 LG |
| 89 | 50132 | 2 | WASHER 7/16 X 1 X .5 |
| 90 | 50118 | 2 | SLEEVE BEARING |
| 91 | 50941 | 2 | SEAL, LIP 0.75X1.00X0.158 |
| 92 | 2003014 | 1 | SPRING, BLOCK |
| 93 | 2003017 | 1 | WASHER, BLOCK THRUST |
| 100 | 50400 | 1 | CONTROL ARM |
| 101 | 50140 | 1 | SOCKET HEAD CAP SCREW |
| 102 | 50141 | 1 | NUT, 10-24 |
| 103 | 50142 | 1 | SPACER |
| 134 | 44142 | 1 | CASTLE NUT, 5/16-24 |
| 135 | 44101 | 1 | COTTER PIN |
| 138 | 23770 | 1 | SPACER |
| 140 | 50269 | 1 | NUT, HEX 5/16-24 |
| 141 | 50928 | 1 | SEALANT |
| 142 | | 81oz | 20W-50 OIL |
| 150 | 70312 | 1 | SEAL KIT |
| 151 | 50416 | 1 | GREASE |



P.2 of 2 70196-S13