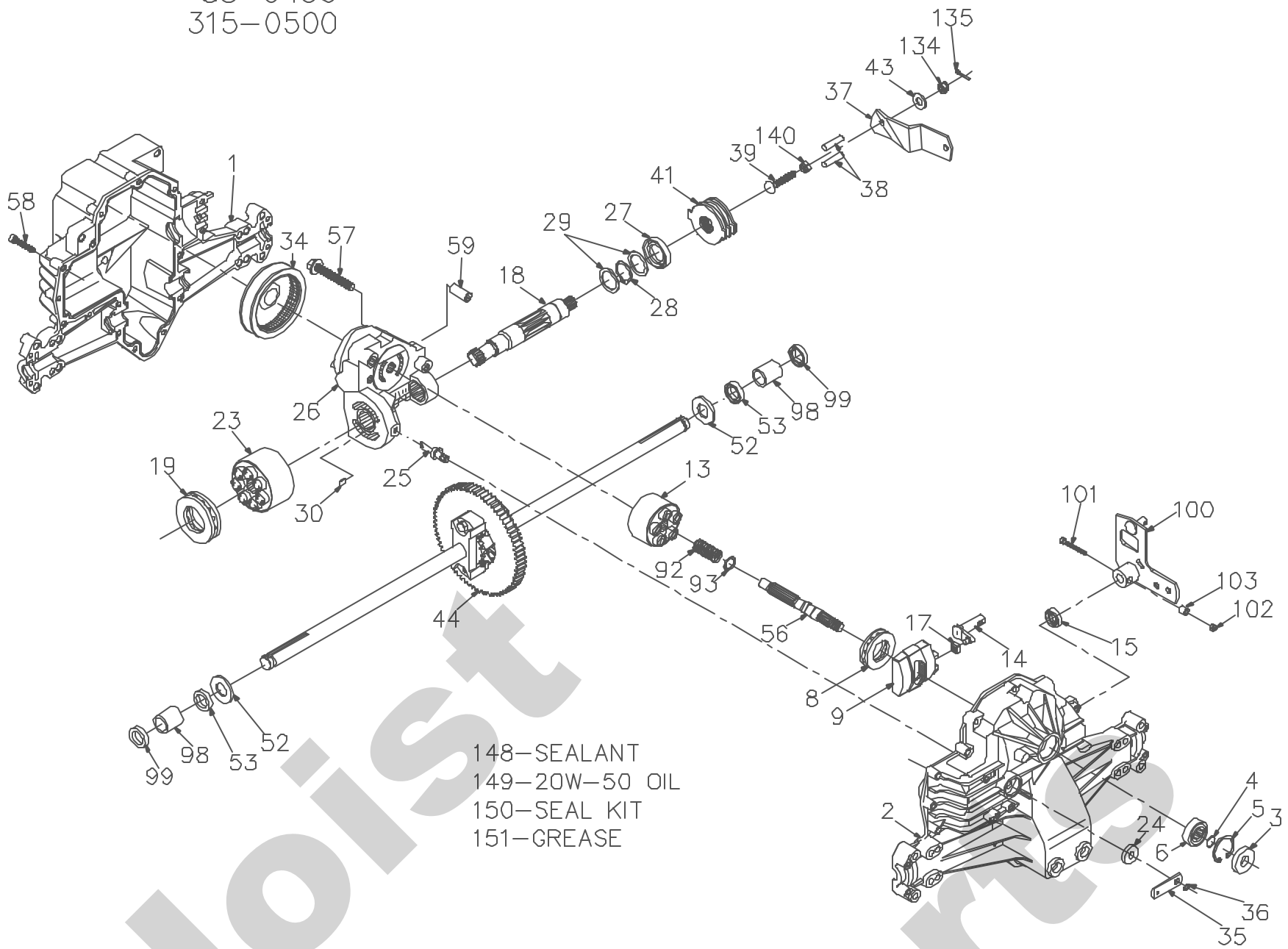


88-6430
315-0500




P 1 of 2 70057-S15

88-6430
315-0500

ITEM NO	HYDRO-GEAR PART NO	QTY	DESCRIPTION	ITEM NO	HYDRO-GEAR PART NO	QTY	DESCRIPTION
1	44863RM	1	HOUSING, LOWER	36	44870	1	RING-RETAINING
2	70254	1	ASSEMBLY, UPPER HOUSING	37	50131	1	ARM-ACTUATING
		1	UPPER HOUSING	38	44891	2	PIN-ACTUATING
		1	TRUNNION JOURNAL BEARING	39	50318	1	BOLT-5/16-24 X 1-3/4
3	9008000-0128	1	SEAL-LIP				
4	2003016	1	RING-WIRE RETAINING	41	70135	1	BRAKE ROTOR/STATOR KIT
5	2003052	1	RING-RETAINING			4	BRAKE STATOR
6	2003043	1	BEARING-SHAFT BALL			2	BRAKE ROTOR
8	50551	1	BEARING-THRUST 30X52X13	43	44130	1	WASHER-7/16 X 7/8 X .060
9	2003087	1	SWASHPLATE-VARIABLE	44	70126	1	DIFFERENTIAL ASSEMBLY
13	70331	1	BLOCK-CYLINDER ASS'Y.			2	AXLE SHAFT
		1	BLOCK-CYLINDER			1	72T DIFFERENTIAL GEAR
		5	PISTON			2	DIFFERENTIAL HOUSING
		5	PISTON SPRING			2	14T BEVEL GEAR
		5	PISTON SPRING WASHER			2	10T PLANET GEAR
14	2003005	1	ARM-TRUNNION			2	RETAINING RING
15	9008000-0126	1	SEAL-LIP			2	DIFFERENTIAL LOCKING BOLT
17	2000015	1	GUIDE-SLOT			1	DIFFERENTIAL SPACER
18	50449	1	SHAFT-MOTOR	52	44875	2	WASHER-3/4 X 1.5 X .13
19	50552	1	BEARING-THRUST 42X68X16	53	45076	2	SEAL- .75 X 1.25 X .250
23	70082	1	BLOCK-CYLINDER ASS'Y.				
		1	BLOCK-CYLINDER				
		7	PISTON	56	2003021	1	SHAFT-INPUT
		7	PISTON SPRING	57	50016	3	BOLT, 3/8-24 X 2.5
		7	PISTON SPRING WASHER	58	44876	20	BOLT- 1/4-20 X 1.38
24	45074	1	SEAL-LIP 10X25X7	59	50002	2	PIN- .5 OD X .43 ID X .750
25	2003555	1	ACTUATOR-BYPASS	92	2003014	1	SPRING, BLOCK
26	70250	1	CENTERSECTION ASSEMBLY KIT	93	2003017	1	WASHER, BLOCK THRUST
		1	BYPASS PLATE	98	50137	2	SLEEVE BEARING
		2	CHECK PLUG ASSEMBLY	99	50941	2	SEAL, LIP 0.75X1.00X0.158
		1	CENTERSECTION	100	50294	1	CONTROL ARM ASSEMBLY
		1	DU BEARING	101	50140	1	SOCKET HEAD CAP SCREW
		3	BOLT, 3/8-24 X 2.5	102	50141	1	NUT, 10-24
		1	BUSHING	103	50142	1	SPACER
27	45075	1	SEAL-LIP 26X42X8	134	44142	1	CASTLE NUT, 5/16-18
28	50007	1	RING-RETAINING	135	44101	1	COTTER PIN
29	44872	2	WASHER-26X35X1	140	50269	1	NUT, HEX 5/16-24
30	2003554	1	BYPASS PLATE	148	50928	1	SEALANT
34	44964	1	OIL FILTER ELEMENT	149		77oz	20W-50 OIL
35	44866	1	ARM-BYPASS	150	70312	1	SEAL KIT
				151	50416	1	GREASE


P.2 of 2 70057-S15