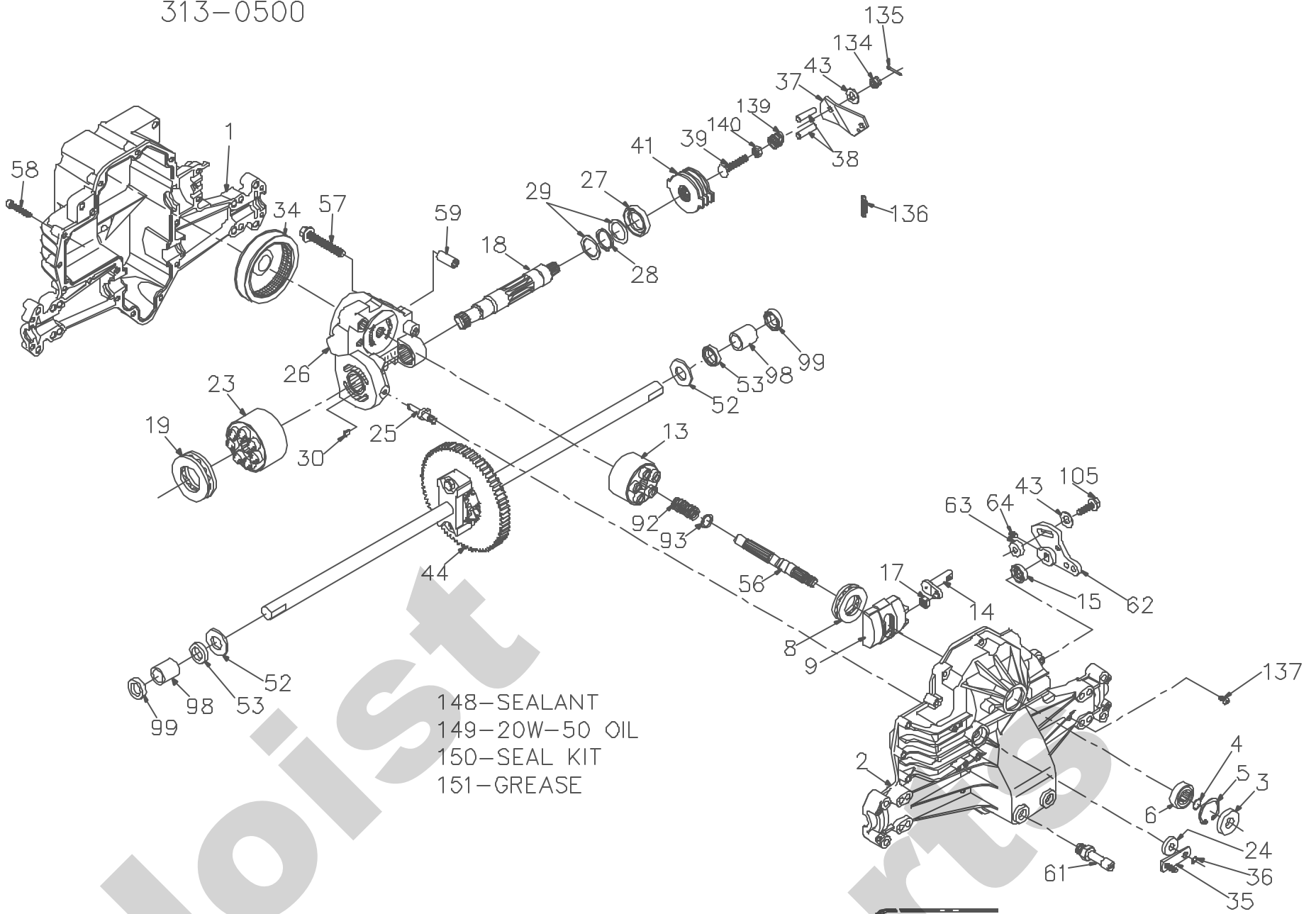


718-0254  
313-0500



Hydro-Gear  
P.1 of 2. 70056-S14

718-0254  
313-0500

ITEM NO	HYDRO-GEAR PART NO	QTY	DESCRIPTION	ITEM NO	HYDRO-GEAR PART NO	QTY	DESCRIPTION
1	44863RM	1	HOUSING, LOWER	39	50316	1	BOLT-5/16-24 X 1-3/4
2	70254	1	ASSEMBLY, UPPER HOUSING	41	70135	1	BRAKE ROTOR/STATOR KIT
		1	UPPER HOUSING			4	BRAKE STATOR
		1	TRUNNION JOURNAL BEARING			2	BRAKE ROTOR
3	9008000-0128	1	SEAL-LIP				
4	2003016	1	RING-WIRE RETAINING	43	44130	2	WASHER-7/16 X 7/8 X .060
5	2003052	1	RING-RETAINING	44	70128	1	DIFFERENTIAL ASSEMBLY
6	2003043	1	BEARING-SHAFT BALL			2	AXLE SHAFT
8	50551	1	BEARING-THRUST 30X52X13			1	72T DIFFERENTIAL GEAR
9	2003087	1	SWASHPLATE-VARIABLE			2	DIFFERENTIAL HOUSING
13	70331	1	BLOCK-CYLINDER ASS'Y			2	14T BEVEL GEAR
		1	BLOCK-CYLINDER			2	10T PLANET GEAR
		5	PISTON			2	RETAINING RING
		5	PISTON SPRING	52	44875	2	DIFFERENTIAL LOCKING BOLT
		5	PISTON SPRING WASHER	53	45076	1	DIFFERENTIAL SPACER
14	2003005	1	ARM-TRUNNION	56	50005	2	WASHER-3/4 X 1.5 X .13
15	9008000-0126	1	SEAL-LIP	57	50016	2	SEAL-.75 X 1.25 X .250
17	2000015	1	GUIDE-SLOT	58	44876	1	SHAFT-INPUT
18	50449	1	SHAFT-MOTOR	59	50002	20	BOLT, 3/8-24 X 2.5
19	50552	1	BEARING-THRUST 42X68X16	61	50042	1	BOLT-1/4-20 X 1.38
23	70082	1	BLOCK-CYLINDER ASS'Y	62	45007	1	PIN- 5 OD X 43 ID X 750
		1	BLOCK-CYLINDER	63	50034	1	BREATHER
		7	PISTON	64	50018	1	ARM-CONTROL
		7	PISTON SPRING	92	2003014	1	PUCK-DAMPENER
		7	PISTON SPRING WASHER	93	2003017	1	SET SCREW
24	45074	1	SEAL-LIP 10X25X7	98	50137	1	SPRING, BLOCK
25	2003555	1	ACTUATOR-BYPASS	99	50941	1	WASHER, BLOCK THRUST
26	70250	1	CENTERSECTION ASSEMBLY KIT	105	50282	2	SLEEVE BEARING
		1	BYPASS PLATE	134	44142	1	SEAL, LIP 0.75X1.00X0.158
		2	CHECK PLUG ASSEMBLY	135	44101	1	FLANGE HEX SCREW, 5/16-24 X 1
		1	CENTERSECTION	136	50384	1	CASTLE NUT, 5/16-24
		1	DU BEARING	137	50653	1	COTTER PIN
		3	BOLT, 3/8-24 X 2.5	139	50431	1	EXTENSION SPRING
		1	BUSHING	140	50269	1	SCREW, 10-32 X 1/2
27	45075	1	SEAL-LIP 26X42X8	148	50928	1	COMPRESSION SPRING
28	50007	1	RING-RETAINING	149		77oz	NUT, HEX 5/16-24
29	44872	2	WASHER-26X35X1	150	70312	1	SEALANT
30	2003554	1	BYPASS PLATE	151	50416	1	20W-50 OIL
34	44964	1	OIL FILTER ELEMENT			1	SEAL KIT
35	50126	1	ARM-BYPASS			1	GREASE
36	44870	1	RING-RETAINING				
37	44094	1	ARM-ACTUATING				
38	44891	2	PIN-ACTUATING				

Hydro-Gear  
P.2 of 2. 70056-S14