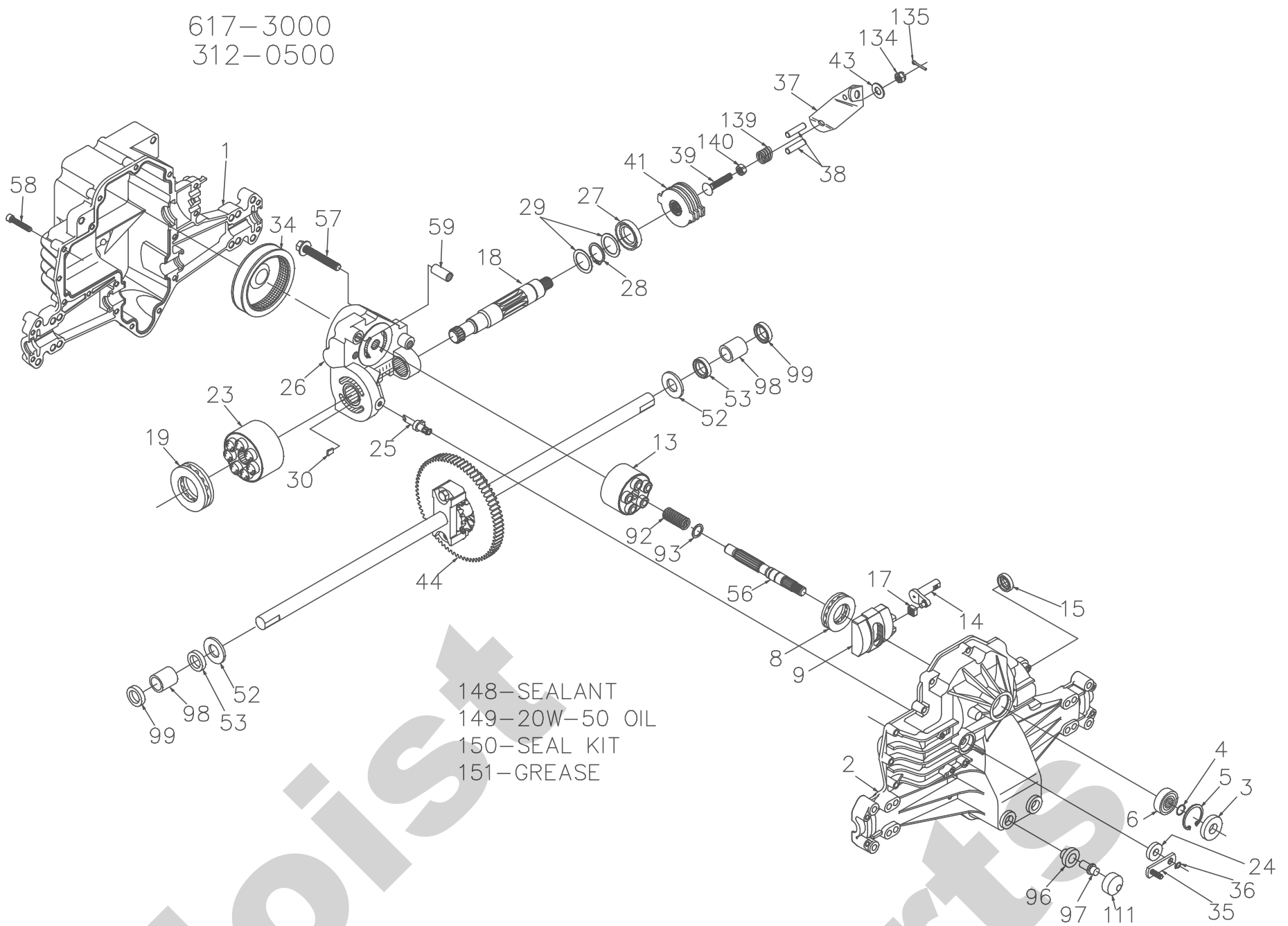


617-3000  
312-0500



148-SEALANT  
149-20W-50 OIL  
150-SEAL KIT  
151-GREASE



P.1 of 2. 70171-S12

617-3000  
312-0500

ITEM NO	HYDRO-GEAR PART NO	QTY	DESCRIPTION	ITEM NO	HYDRO-GEAR PART NO	QTY	DESCRIPTION
1	50104	1	HOUSING, LOWER	39	50316	1	BOLT-5/16-24 X 1-3/4
2	70124	1	ASSEMBLY, UPPER HOUSING	41	70135	1	BRAKE ROTOR/STATOR KIT
		1	UPPER HOUSING	43	44130	4	BRAKE STATOR
3	9008000-0128	1	TRUNNION JOURNAL BEARING	44	70129	2	BRAKE ROTOR
4	2003016	1	SEAL-LIP			3	WASHER-7/16 X 7/8 X .060
5	2003052	1	RING-WIRE RETAINING			1	DIFFERENTIAL ASSEMBLY
6	2003043	1	RING-RETAINING			2	AXLE SHAFT
8	50551	1	BEARING-SHAFT BALL			1	72T DIFFERENTIAL GEAR
9	2003087	1	BEARING-THRUST 30X52X13			2	DIFFERENTIAL HOUSING
13	70331	1	SWASHPLATE-VARIABLE			2	14T BEVEL GEAR
		1	BLOCK-CYLINDER ASS'Y.			2	10T PLANET GEAR
		1	BLOCK-CYLINDER			2	RETAINING RING
		5	PISTON			2	DIFFERENTIAL LOCKING BOLT
		5	PISTON SPRING			1	DIFFERENTIAL SPACER
		5	PISTON SPRING WASHER	52	44875	2	WASHER-3/4 X 1.5 X .13
14	2003005	1	ARM-TRUNNION	53	45076	2	SEAL-.75 X 1.25 X .250
15	9008000-0126	1	SEAL-LIP	56	50005	1	SHAFT-INPUT
17	2000015	1	GUIDE-SLOT	57	50016	3	BOLT, 3/8-24 X 2.5
18	50449	1	SHAFT-MOTOR	58	44876	20	BOLT- 1/4-20 X 1.38
19	50552	1	BEARING-THRUST 42X68X16	59	50002	2	PIN- .5 OD X .43 ID X .750
23	70082	1	BLOCK-CYLINDER ASS'Y.	92	2003014	1	SPRING, BLOCK
		1	BLOCK-CYLINDER	93	2003017	1	WASHER, BLOCK THRUST
		7	PISTON	96	50133	1	BUSHING, VENT
		7	PISTON SPRING	97	50134	1	VENT
		7	PISTON SPRING WASHER	98	50137	2	SLEEVE BEARING
24	45074	1	SEAL-LIP 10X25X7	99	50941	2	SEAL, LIP 0.75X1.00X0.158
25	2003555	1	ACTUATOR-BYPASS	111	50196	1	VENT
26	70250	1	CENTERSECTION ASSEMBLY KIT	134	44142	1	CASTLE NUT, 5/16-24
		1	BYPASS PLATE	135	44101	1	COTTER PIN
		2	CHECK PLUG ASSEMBLY	139	50431	1	COMPRESSION SPRING
		1	CENTERSECTION	140	50269	1	HEX, NUT 5/16-24
		1	DU BEARING	148	50928	1	SEALANT
		3	BOLT, 3/8-24 X 2.5	149		77oz	20W-50 OIL
		1	BUSHING	150	70312	1	SEAL KIT
27	45075	1	SEAL-LIP 26X42X8	151	50416	1	GREASE
28	50007	1	RING-RETAINING				
29	44872	2	WASHER-26X35X1				
30	2003554	1	BYPASS PLATE				
34	44964	1	OIL FILTER ELEMENT				
35	50126	1	ARM-BYPASS				
36	44870	1	RING-RETAINING				
37	23710	1	ARM-ACTUATING				
38	44891	2	PIN-ACTUATING				



P.2 of 2. 70171-S12