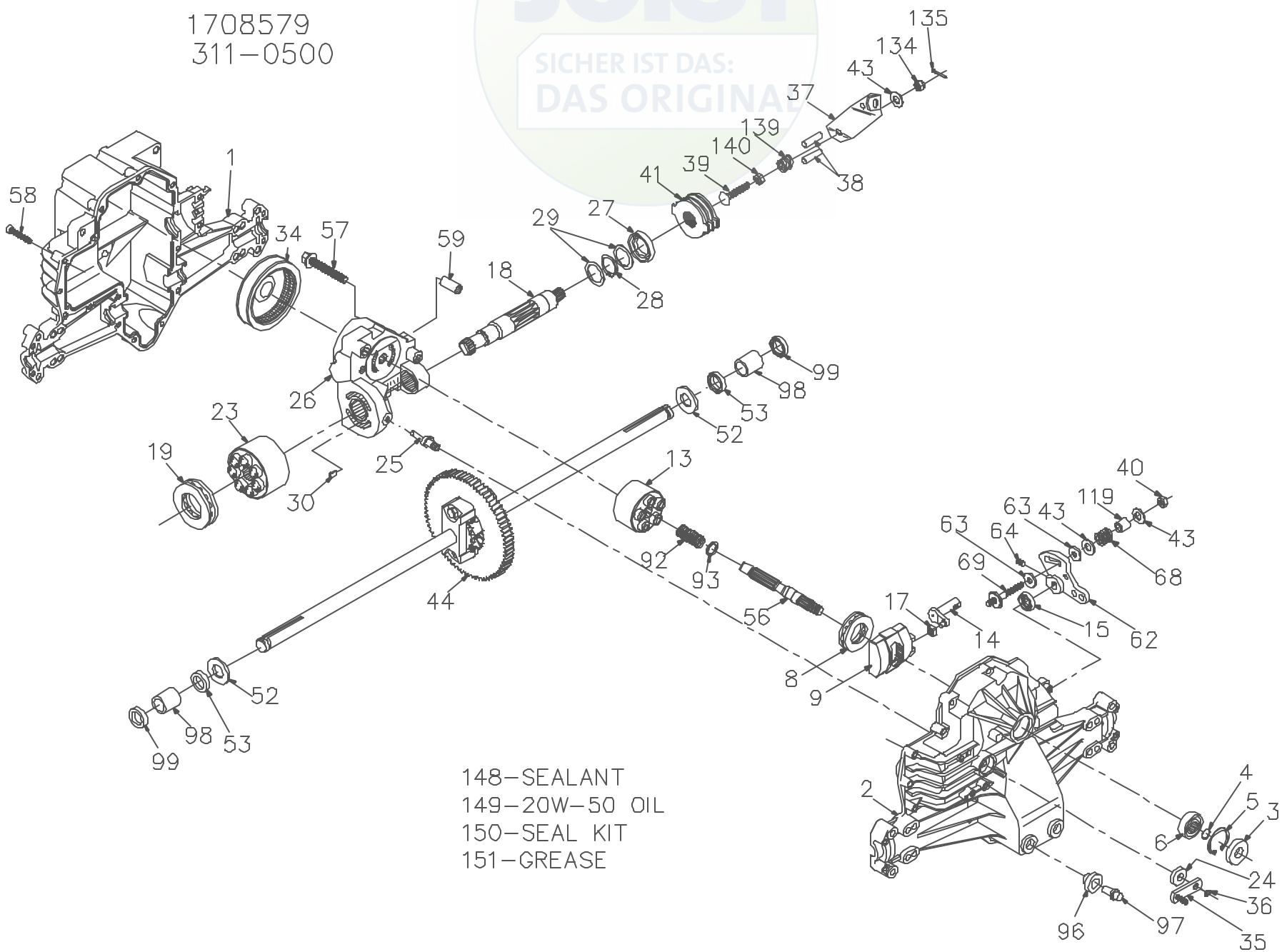


1708579  
311-0500



148-SEALANT  
149-20W-50 OIL  
150-SEAL KIT  
151-GREASE



P.1 of 2 70058-S13

1708579  
311-0500

| ITEM NO | HYDRO-GEAR PART NO | QTY | DESCRIPTION                | ITEM NO | HYDRO-GEAR PART NO | QTY  | DESCRIPTION               |
|---------|--------------------|-----|----------------------------|---------|--------------------|------|---------------------------|
| 1       | 44863RM            | 1   | HOUSING, LOWER             | 39      | 50316              | 1    | BOLT-5/16-24 X 1-3/4      |
| 2       | 70254              | 1   | ASSEMBLY, UPPER HOUSING    | 40      | 50317              | 1    | NUT-HEX LOCK 5/16-24 UNJC |
|         |                    | 1   | UPPER HOUSING              | 41      | 70135              | 1    | BRAKE ROTOR/STATOR KIT    |
|         |                    | 1   | TRUNNION JOURNAL BEARING   |         |                    | 4    | BRAKE STATOR              |
| 3       | 9008000-0128       | 1   | SEAL-LIP                   |         |                    | 2    | BRAKE ROTOR               |
| 4       | 2003016            | 1   | RING-WIRE RETAINING        | 43      | 44130              | 3    | WASHER-7/16 X 7/8 X .060  |
| 5       | 2003052            | 1   | RING-RETAINING             | 44      | 70126              | 1    | DIFFERENTIAL ASSEMBLY     |
| 6       | 2003043            | 1   | BEARING-SHAFT BALL         |         |                    | 2    | AXLE SHAFT                |
| 8       | 50551              | 1   | BEARING-THRUST 30X52X13    |         |                    | 1    | 72T DIFFERENTIAL GEAR     |
| 9       | 2003087            | 1   | SWASHPLATE-VARIABLE        |         |                    | 2    | DIFFERENTIAL HOUSING      |
| 13      | 70331              | 1   | BLOCK-CYLINDER ASS'Y.      |         |                    | 2    | 14T BEVEL GEAR            |
|         |                    | 1   | BLOCK-CYLINDER             |         |                    | 2    | 10T PLANET GEAR           |
|         |                    | 5   | PISTON                     |         |                    | 2    | RETAINING RING            |
|         |                    | 5   | PISTON SPRING              |         |                    | 2    | DIFFERENTIAL LOCKING BOLT |
|         |                    | 5   | PISTON SPRING WASHER       |         |                    | 1    | DIFFERENTIAL SPACER       |
| 14      | 2003005            | 1   | ARM-TRUNNION               | 52      | 44875              | 2    | WASHER-3/4 X 1.5 X .13    |
| 15      | 9008000-0126       | 1   | SEAL-LIP                   | 53      | 45076              | 2    | SEAL-.75 X 1.25 X .250    |
| 17      | 2000015            | 1   | GUIDE-SLOT                 | 56      | 50005              | 1    | SHAFT-INPUT               |
| 18      | 50449              | 1   | SHAFT-MOTOR                | 57      | 50016              | 3    | BOLT, 3/8-24 X 2.5        |
| 19      | 50552              | 1   | BEARING-THRUST 42X68X16    | 58      | 44876              | 20   | BOLT- 1/4-20 X 1.38       |
| 23      | 70082              | 1   | BLOCK-CYLINDER ASS'Y.      | 59      | 50002              | 2    | PIN- 5 OD X .43 ID X .750 |
|         |                    | 1   | BLOCK-CYLINDER             | 62      | 50254              | 1    | ARM-CONTROL               |
|         |                    | 7   | PISTON                     | 63      | 50281              | 2    | PUCK-DAMPENER             |
|         |                    | 7   | PISTON SPRING              | 64      | 50018              | 1    | SET SCREW                 |
|         |                    | 7   | PISTON SPRING WASHER       | 68      | 50277              | 1    | SPRING                    |
| 24      | 45074              | 1   | SEAL-LIP 10X25X7           | 69      | 50284              | 1    | 5/16-24 STUD              |
| 25      | 2003555            | 1   | ACTUATOR-BYPASS            | 92      | 2003014            | 1    | SPRING, BLOCK             |
| 26      | 70250              | 1   | CENTERSECTION ASSEMBLY KIT | 93      | 2003017            | 1    | WASHER, BLOCK THRUST      |
|         |                    | 1   | BYPASS PLATE               | 96      | 50133              | 1    | BUSHING, VENT             |
|         |                    | 2   | CHECK PLUG ASSEMBLY        | 97      | 50134              | 1    | VENT                      |
|         |                    | 1   | CENTERSECTION              | 98      | 50137              | 2    | SLEEVE BEARING            |
|         |                    | 1   | DU BEARING                 | 99      | 50941              | 2    | SEAL, LIP 0.75X1.00X0.158 |
|         |                    | 3   | BOLT, 3/8-24 X 2.5         | 119     | 50278              | 1    | SPACER                    |
|         |                    | 1   | BUSHING                    | 134     | 44142              | 1    | SLOTTED NUT, 5/16-24      |
| 27      | 45075              | 1   | SEAL-LIP 26X42X8           | 135     | 44101              | 1    | COTTER PIN                |
| 28      | 50007              | 1   | RING-RETAINING             | 139     | 50431              | 1    | COMPRESSION SPRING        |
| 29      | 44872              | 2   | WASHER-26X35X1             | 140     | 50269              | 1    | NUT, HEX 5/16-24          |
| 30      | 2003554            | 1   | BYPASS PLATE               | 148     | 50928              | 1    | SEALANT                   |
| 34      | 44964              | 1   | OIL FILTER ELEMENT         | 149     |                    | 77oz | 20W-50 OIL                |
| 35      | 50126              | 1   | ARM-BYPASS                 | 150     | 70312              | 1    | SEAL KIT                  |
| 36      | 44870              | 1   | RING-RETAINING             | 151     | 50416              | 1    | GREASE                    |
| 37      | 23710              | 1   | ARM-ACTUATING              |         |                    |      |                           |
| 38      | 44891              | 2   | PIN-ACTUATING              |         |                    |      |                           |



P 2 of 2 70058-S13