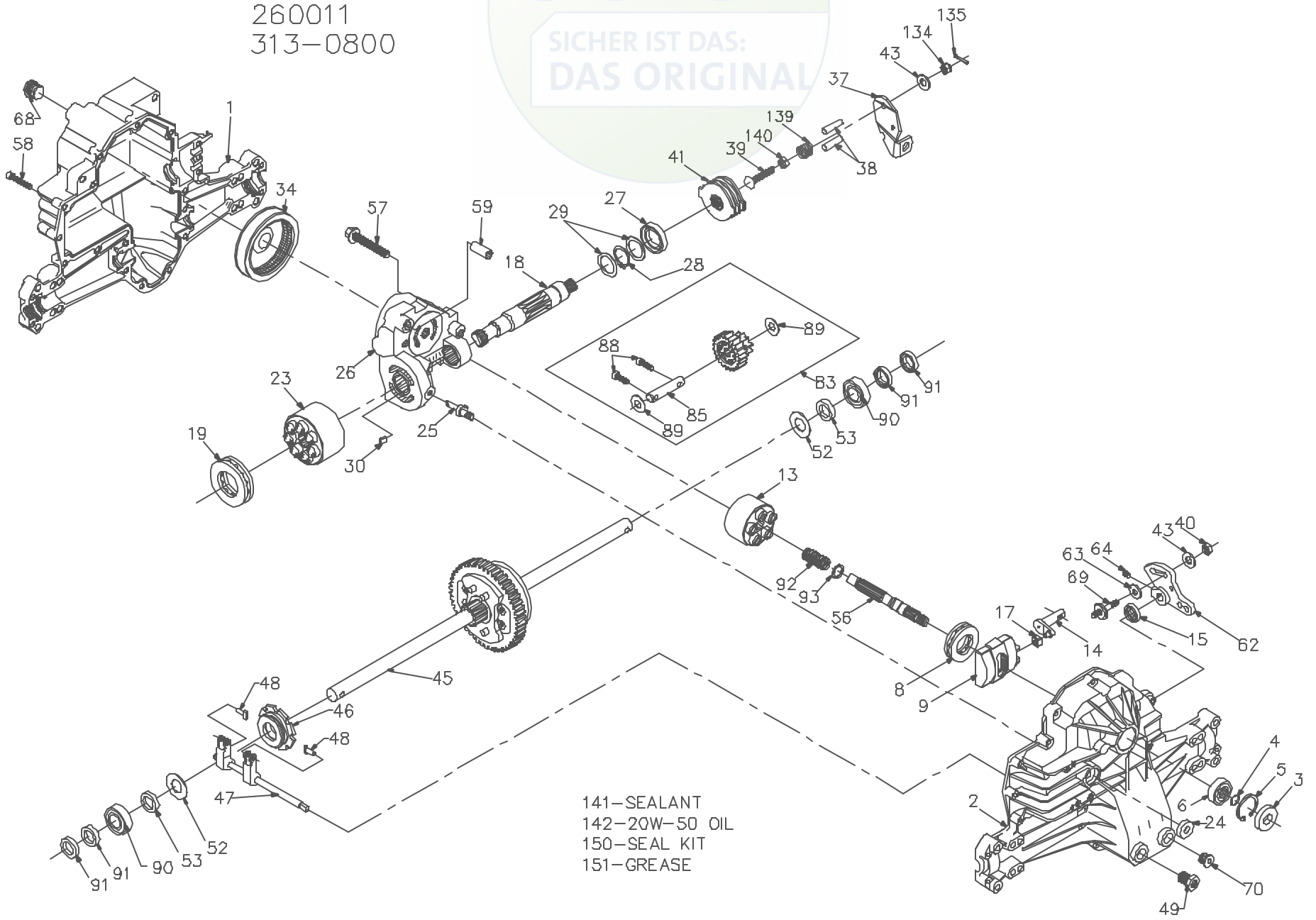




260011  
313-0800



141-SEALANT  
142-20W-50 OIL  
150-SEAL KIT  
151-GREASE



P.1 of 2. 70430-S1

260011  
313-0800

ITEM NO	HYDRO-GEAR PART NO	QTY	DESCRIPTION
1	51181	1	HOUSING, LOWER
2	70429	1	ASSEMBLY, UPPER HOUSING
		1	HOUSING, UPPER
		1	BEARING-TRUNNION JOURNAL
3	9008000-0128	1	SEAL-LIP
4	2003016	1	RING-WIRE RETAINING
5	2003052	1	RING-RETAINING
6	2003043	1	BEARING-SHAFT BALL
8	50551	1	BEARING-THRUST 30X52X13
9	2003087	1	SWASHPLATE-VARIABLE
13	70331	1	BLOCK-CYLINDER ASS'Y.
		1	BLOCK-CYLINDER
		5	PISTON
		5	PISTON SPRING
		5	PISTON SPRING WASHER
14	2003005	1	ARM-TRUNNION
15	9008000-0126	1	SEAL-LIP
17	2000015	1	GUIDE-SLOT
18	50449	1	SHAFT-MOTOR
19	50552	1	BEARING-THRUST 42X68X16
23	70082	1	BLOCK-CYLINDER (MOTOR) ASSY
		1	BLOCK-CYLINDER
		7	PISTON
		7	PISTON SPRING
		7	PISTON SPRING WASHER
24	45074	1	SEAL-LIP 10X25X7
25	2003555	1	ACTUATOR-BYPASS
26	70250	1	CENTERSECTION ASSEMBLY
		1	PLATE-BYPASS
		2	CHECK PLUG ASSEMBLY
		1	CENTER SECTION
		1	DU BEARING
		3	BOLT-3/8-24 X 2.5
		1	BUSHING
27	45075	1	SEAL-LIP 26X42X8
28	50007	1	RING-RETAINING
29	44872	2	WASHER-26X35X1
30	2003554	1	BYPASS PLATE
34	44964	1	OIL FILTER ELEMENT
37	23710	1	ARM-ACTUATING
38	44891	2	PIN-ACTUATING
39	50316	1	BOLT-5/16-18 X 1-3/4
40	50317	1	NUT-HEX LOCK 5/16-24 UNJC

ITEM NO	HYDRO-GEAR PART NO	QTY	DESCRIPTION
41	70135	1	BRAKE ROTOR/STATOR KIT
		4	STATOR-BRAKE
		2	ROTOR-BRAKE
43	44130	2	WASHER-7/16 X 7/8 X .060
45	260 120	1	DIFF. ASSEMBLY
46	260 112	1	SLEEVE
47	260 113	1	FORK
48	260 114	2	GUIDE, SLOT
49	260 115	1	GUIDE, FORK
52	50152	2	WASHER-3/4 X 1.5 X .03
53	45076	2	SEAL-.75 X 1.25 X .250
56	50005	1	SHAFT-INPUT
57	50016	3	BOLT, 3/8-24 X 2.5
58	44876	21	BOLT- 1/4-20 X 1.38
59	50002	2	PIN- 5 OD X .43 ID X .750
62	50254	1	ARM-CONTROL
63	50281	1	PUCK-DAMPENER
64	50018	1	SET SCREW
68	9005200-7500	1	PLASTIC PLUG
69	50426	1	5/16-24 STUD
70	9005110-5600	1	STEEL PLUG 9/16-18
83	70132	1	JACK SHAFT/PINION GEAR ASSEMBLY
		1	23T GEAR
		1	10T PINION
		1	JACK SHAFT
		2	CAPSCREW 6M X 20 LG
		2	WASHER 7/16 X 1 X .5
85	50559	1	JACK SHAFT
88	50154	2	CAPSCREW 6M X 20 LG
89	50132	2	WASHER 7/16 X 1 X .5
90	44121	2	BALL BEARING
91	50941	4	SEAL-.75 X 1.00 X .158
92	2003014	1	SPRING, BLOCK
93	2003017	1	WASHER, BLOCK THRUST
134	44142	1	CASTLE NUT, 5/16-24
135	44101	1	COTTER PIN
139	50431	1	COMPRESSION SPRING
140	50269	1	NUT,HEX 5/16-18
141	50928	1	SEALANT
142		77.7oz	20W-50 OIL
150	70312	1	SEAL KIT
151	50416	1	GREASE



P.2 of 2. 70430-S1