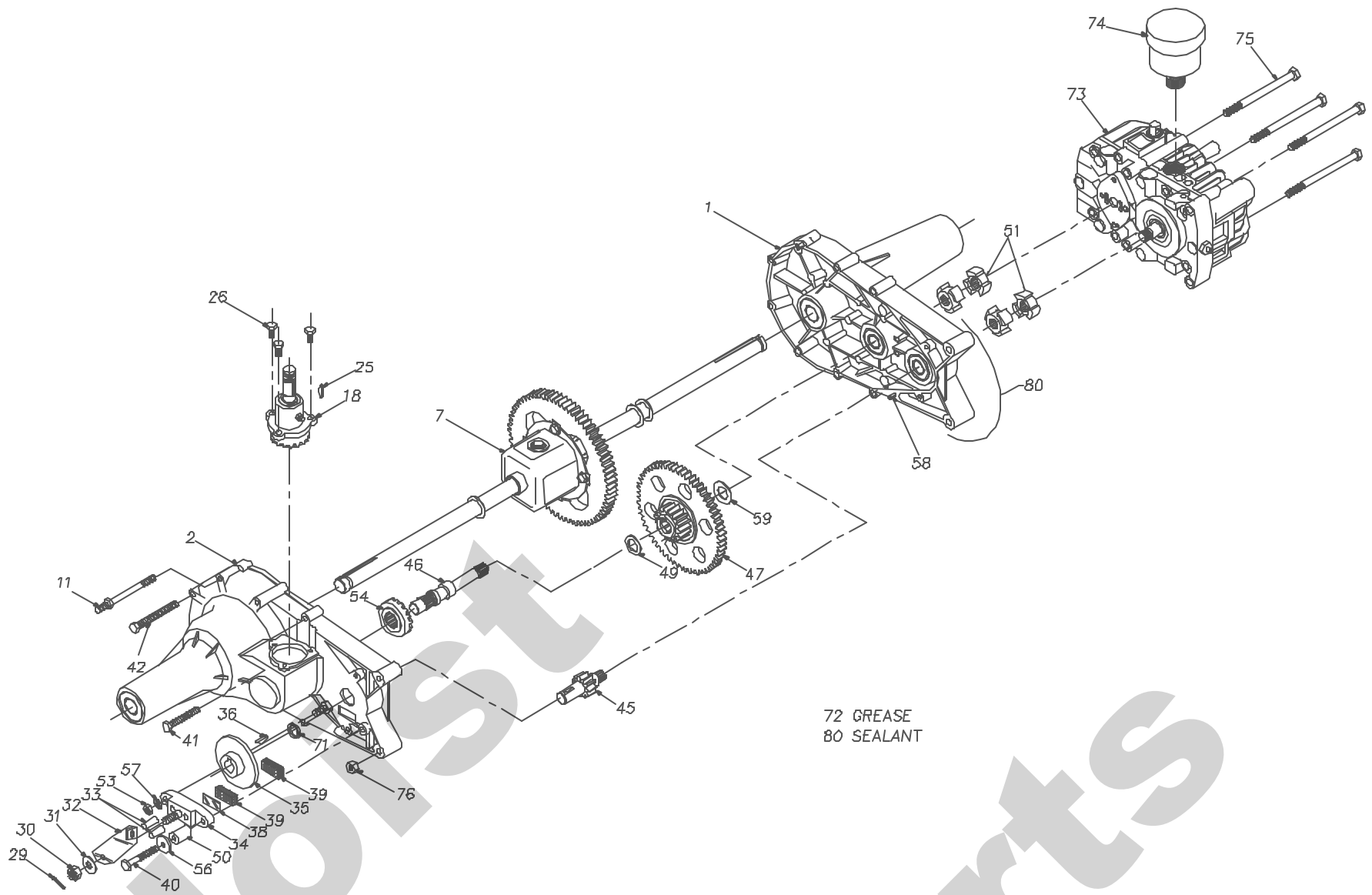


138558
214-1010S



P.1 of 2. 70067-SB

138558
214-1010S

| REF | HYDRO-GEAR PART NO | QTY | DESCRIPTION |
|-----|--------------------|-----|------------------------------------|
| 1 | 62587 | 1 | ASSY HOUSING, LH |
| | | 1 | HOUSING, LH |
| | | 2 | BALL BEARING, 3/4 ID X 40MM X 12MM |
| | | 2 | BALL BEARING, .62 ID X 1.38 X .44 |
| 2 | 62586 | 1 | ASSY HOUSING, RH |
| | | 1 | HOUSING, RH |
| | | 2 | BALL BEARING, 3/4 ID X 40MM X 12MM |
| | | 1 | BALL BEARING, .35 OD X 15 ID |
| | | 1 | BALL BEARING, .62 ID X 1.38 X .44 |
| 7 | 62634 | 1 | ASSY DIFFERENTIAL (COMPLETE) |
| | | 1 | LH AXLE, 3/4 DIA. |
| | | 1 | RH AXLE, 3/4 DIA. |
| | | 2 | MITER GEAR (SPLINED) |
| | | 2 | HEX JAM NUT, 1/2-20 |
| | | 1 | FLANGE BEARING, 3/4 ID X 7/8 OD |
| | | 1 | DIFFERENTIAL HOUSING |
| | | 1 | FLANGE BEARING, 3/4 ID X 1.0 OD |
| | | 1 | DIFFERENTIAL GEAR |
| | | 2 | MITER GEAR, 1/2 ID |
| | | 1 | CROSS SHAFT |
| | | 2 | THRUST BEARING, 1/2 X 1 OD |
| | | 2 | RETAINING RING |
| | | 4 | DIFFERENTIAL LOCKING BOLT |
| 11 | 44271 | 2 | SCREW/ STUD 1/4-20 X 3-3/4 |
| 18 | 62636 | 1 | ASSY INPUT PINION HSG |
| | | 1 | INPUT SHAFT |
| | | 1 | RETAINING RING #5100-62 |
| | | 1 | RETAINING RING #5100-43 |
| | | 1 | INPUT HOUSING |
| | | 1 | NEEDLE BEARING |
| | | 1 | THRUST BEARING NTA-1018 |
| | | 2 | THRUST RACE TRA-1018 |
| | | 1 | KEY, HI-PRO |
| | | 1 | INPUT 17T PINION |
| | | 1 | WASHER |
| | | 1 | NEEDLE BEARING (WITH SEAL) |
| | | 1 | GREASE FITTING |
| 25 | 44136 | 1 | KEY, #4 HI-PRO 3/32 X 5/8 DIA |
| 26 | 44122 | 3 | SCREW, HEX W/PATCH 1/4-20 X 3/4 LG |
| 29 | 44101 | 1 | PIN, COTTER |

| REF | HYDRO-GEAR PART NO | QTY | DESCRIPTION |
|-----|--------------------|-----|--|
| 30 | 44142 | 1 | NUT, CASTLE 5/16-24 |
| 31 | 44130 | 1 | WASHER, FLAT 3/4 ID X 88 OD X .062 THK |
| 32 | 23710 | 1 | ARM, BRAKE ACTUATOR |
| 33 | 44127 | 2 | PIN, BRAKE ACTUATING |
| 34 | 62589 | 1 | ASSY BRAKE YOKE |
| | | 1 | SQUARE HEAD BOLT |
| | | 1 | BRAKE YOKE |
| 35 | 44090 | 1 | DISC, BRAKE |
| 36 | 44143 | 1 | KEY, HI-PRO 3/16 X 5/8 DIA |
| 38 | 44134 | 1 | PLATE, PUCK |
| 39 | 44132 | 2 | PUCK, BRAKE |
| 40 | 44300 | 1 | BOLT, HEX W/PATCH 1/4-20 X 2.00 LG |
| 41 | 44123 | 4 | BOLT, HEX SELF-TAP 1/4-20 X 2.00LG |
| 42 | 44124 | 4 | BOLT, HEX SELF-TAP 1/4-20 X 3.00LG |
| 45 | 44083 | 1 | SHAFT, PINION W/11 TOOTH GEAR |
| 46 | 44080 | 1 | SHAFT, DRIVE |
| 47 | 62760 | 1 | ASSY REDUCTION GEAR |
| | | 1 | REDUCTION GEAR |
| | | 1 | NEEDLE BEARING |
| | | 1 | DOWEL PIN |
| | | 1 | SEAL, 7/8 OD X 5/8 ID X 3/32 |
| | | 1 | THRUST WASHER |
| | | 1 | WASHER, FLAT .62 ID X 1.0 OD X .05 THK |
| | | 1 | WASHER, FLAT .62 ID X 1.0 OD X .03 THK |
| | | 1 | WASHER, FLAT .62 ID X 1.0 OD X .05 THK |
| | | 1 | SPACER |
| 49 | 44371 | 1 | WASHER, FLAT .62 ID X 1.0 OD X .05 THK |
| 50 | 23711 | 1 | SPACER |
| 51 | 44084 | 4 | COUPLING (HALF) |
| 53 | 43178 | 1 | NUT, HEX 1/4-20 |
| 54 | 44079 | 1 | GEAR, DRIVE PINION 17T |
| 57 | 43177 | 1 | WASHER, 1/4" SPRING LOCK |
| 58 | 44269 | 2 | PIN, ROLL 3/16 DIA X 1/2 LG |
| 59 | 44125 | 1 | WASHER, FLAT .62 ID X 1.0 OD X .03 THK |
| 71 | 44378 | 1 | SEAL, GREASE |
| 72 | 50416 | 2 | GREASE (10 OZ TUBE) |
| 73 | BDU10S-114 | 1 | TRANSMISSION |
| 74 | 2003081 | 1 | RESERVOIR |
| 75 | 44820 | 4 | BOLT, 5/16-18 X 4-1/2 |
| 76 | 43083 | 2 | HEX NUT, 5/16-18 |
| 80 | 50928 | 1 | SEALANT |



P.2 of 2 70067-SB