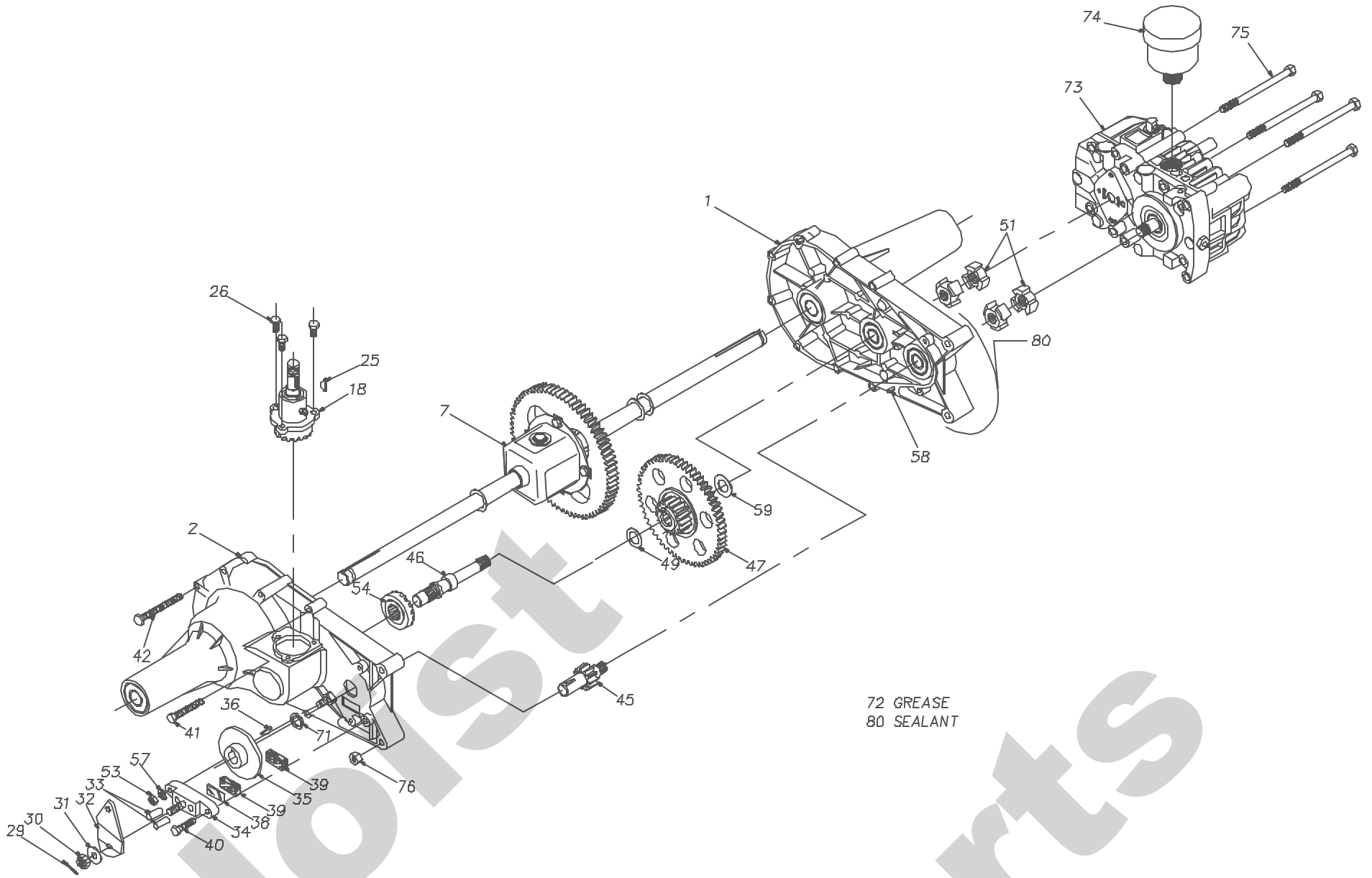


326768
213-1010S



72 GREASE
80 SEALANT


P 1 of 2 70071-57

326768
213-1010S

| REF | HYDRO-GEAR PART NO | QTY | DESCRIPTION | REF | HYDRO-GEAR PART NO | QTY | DESCRIPTION |
|-----|--------------------|-----|------------------------------------|-----|--------------------|-----|--|
| 1 | 62587 | 1 | ASSY HOUSING, LH | 29 | 44101 | 1 | PIN, COTTER |
| | | 1 | HOUSING, LH | 30 | 44142 | 1 | NUT, CASTLE 5/16-24 |
| | | 2 | BALL BEARING, 3/4 ID X 40MM X 12MM | 31 | 44130 | 1 | WASHER, FLAT .343 ID X .88 OD X .062 THK |
| | | 2 | BALL BEARING, .62 ID X 1.38 X .44 | 32 | 44094 | 1 | ARM, BRAKE ACTUATOR |
| 2 | 62586 | 1 | ASSY HOUSING, RH | 33 | 44127 | 2 | PIN, BRAKE ACTUATING |
| | | 1 | HOUSING, RH | 34 | 62589 | 1 | ASSY BRAKE YOKE |
| | | 2 | BALL BEARING, 3/4 ID X 40MM X 12MM | | | 1 | SQUARE HEAD BOLT |
| | | 1 | BALL BEARING, 35 OD X 15 ID | | | 1 | BRAKE YOKE |
| | | 1 | BALL BEARING, .62 ID X 1.38 X .44 | 35 | 44090 | 1 | DISC, BRAKE |
| 7 | 62634 | 1 | ASSY DIFFERENTIAL (COMPLETE) | 36 | 44143 | 1 | KEY, HI-PRO 3/16 X 5/8 DIA |
| | | 1 | LH AXLE, 3/4 DIA. | 38 | 44134 | 1 | PLATE, PUCK |
| | | 1 | RH AXLE, 3/4 DIA. | 39 | 44132 | 2 | PUCK, BRAKE |
| | | 2 | MITER GEAR (SPLINED) | 40 | 44433 | 1 | BOLT, HEX W/PATCH 1/4-20 X 1.00 LG |
| | | 2 | HEX JAM NUT, 1/2-20 | 41 | 44123 | 4 | BOLT, HEX SELF-TAP 1/4-20 X 2.00 LG |
| | | 1 | FLANGE BEARING, 3/4 ID X 7/8 OD | 42 | 44124 | 6 | BOLT, HEX SELF-TAP 1/4-20 X 3.00 LG |
| | | 1 | DIFFERENTIAL HOUSING | 45 | 44083 | 1 | SHAFT, PINION W/11 TOOTH GEAR |
| | | 1 | FLANGE BEARING, 3/4 ID X 1.0 OD | 46 | 44080 | 1 | SHAFT, DRIVE |
| | | 1 | DIFFERENTIAL GEAR | 47 | 62760 | 1 | ASSY REDUCTION GEAR |
| | | 2 | MITER GEAR, 1/2 ID | | | 1 | REDUCTION GEAR |
| | | 1 | CROSS SHAFT | | | 1 | NEEDLE BEARING |
| | | 2 | THRUST BEARING, 1/2 X 1 OD | | | 1 | DOWEL PIN |
| | | 2 | RETAINING RING | | | 1 | SEAL, 7/8 OD X 5/8 ID X 3/32 |
| | | 4 | DIFFERENTIAL LOCKING BOLT | | | 1 | THRUST WASHER |
| 18 | 62579 | 1 | ASSY INPUT PINION HSG | 49 | 44371 | 1 | WASHER, FLAT .62 ID X 1.0 OD X .05 THK |
| | | 1 | INPUT SHAFT | 51 | 44084 | 4 | WASHER, FLAT .62 ID X 1.0 OD X .03 THK |
| | | 1 | RETAINING RING #5100-62 | 53 | 43178 | 1 | WASHER, FLAT .62 ID X 1.0 OD X .05 THK |
| | | 1 | RETAINING RING #5100-43 | 54 | 44079 | 1 | COUPLING (HALF) |
| | | 1 | INPUT HOUSING | 55 | 43177 | 1 | NUT, HEX 1/4-20 |
| | | 1 | NEEDLE BEARING | 57 | 44269 | 1 | GEAR, DRIVE PINION 17T |
| | | 1 | THRUST BEARING NTA-1018 | 58 | 44269 | 1 | WASHER, 1/4" SPRING LOCK |
| | | 2 | THRUST RACE TRA-1018 | 59 | 44125 | 2 | PIN, ROLL 3/16 DIA X 1/2 LG |
| | | 1 | KEY, HI-PRO | 71 | 44378 | 1 | WASHER, FLAT .62 ID X 1.0 OD X .03 THK |
| | | 1 | INPUT 17T PINION | 72 | 50416 | 2 | SEAL, GREASE |
| | | 1 | WASHER | 73 | BDU10S-116 | 1 | GREASE (10 OZ TUBE) |
| | | 1 | NEEDLE BEARING (WITH SEAL) | 74 | 2003081 | 1 | TRANSMISSION |
| 25 | 44136 | 1 | GREASE FITTING | 75 | 44820 | 4 | RESERVOIR |
| 26 | 44122 | 3 | KEY, #4 HI-PRO 3/32 X 5/8 DIA | 76 | 43083 | 2 | BOLT, 5/16-18 X 4-1/2 |
| | | | SCREW, HEX W/PATCH 1/4-20 X 3/4 LG | 80 | 50928 | 1 | HEX NUT, 5/16-18 |
| | | | | | | | SEALANT |


P.2 of 2. 70071-57