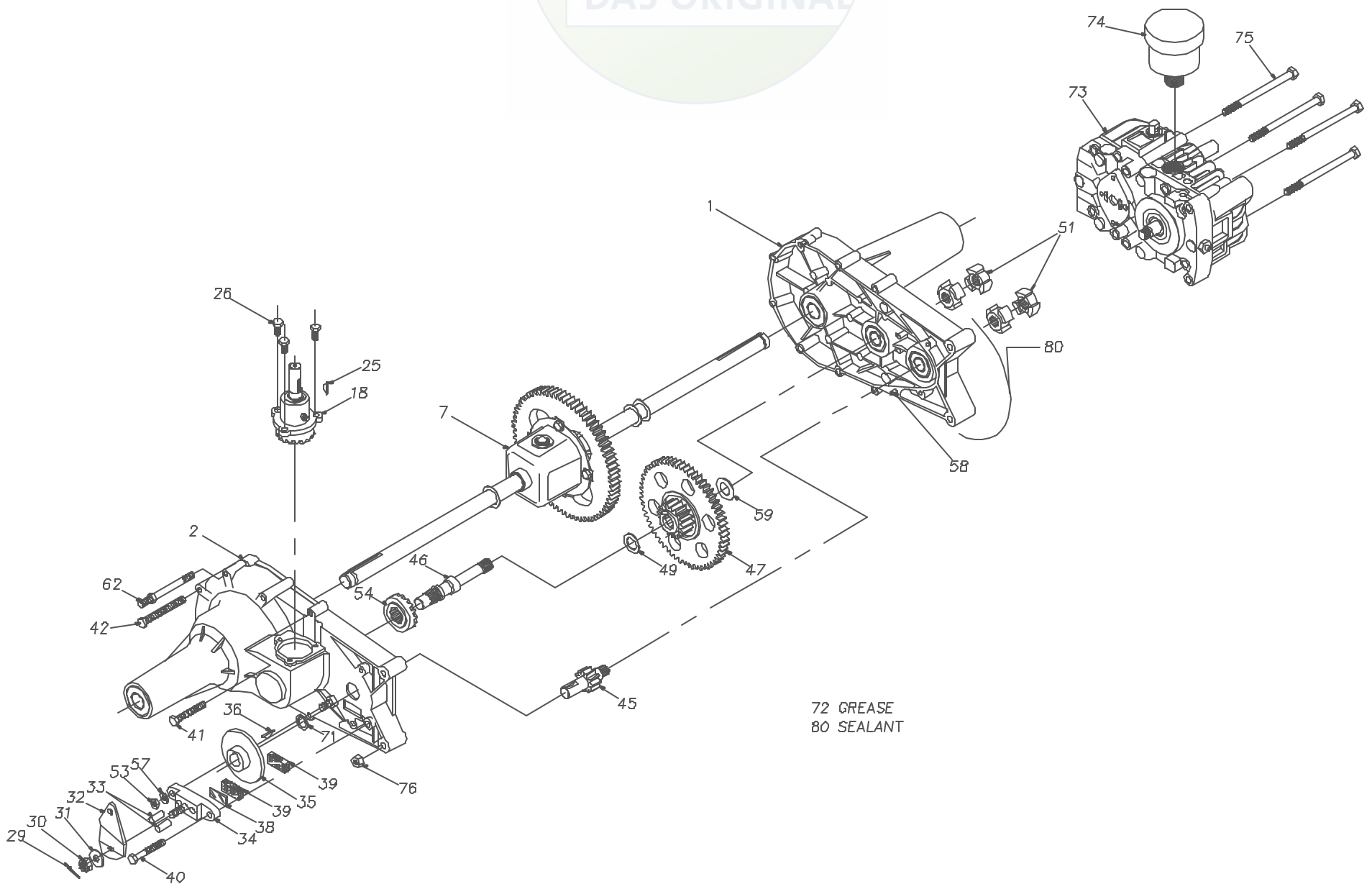


1709251
219-1010S



72 GREASE
80 SEALANT



P 1 of 2 70073-S7

1709251
219-1010S

REF	HYDRO-GEAR PART NO	QTY	DESCRIPTION	REF	HYDRO-GEAR PART NO	QTY	DESCRIPTION		
1	62587	1	ASSY HOUSING, LH	29	44101	1	PIN, COTTER		
		1	HOUSING, LH			30	44142	1	NUT, CASTLE 5/16-24
		2	BALL BEARING, 3/4 ID X 40MM X 12MM			31	44130	1	WASHER, FLAT .343 ID X .88 OD X .062 THK
		2	BALL BEARING, .62 ID X 1.38 X .44			32	44094	1	ARM, BRAKE ACTUATOR
2	62586	1	ASSY HOUSING, RH	33	44127	2	PIN, BRAKE ACTUATING		
		1	HOUSING, RH	34	62589	1	ASSY BRAKE YOKE		
7	62773	2	BALL BEARING, 3/4 ID X 40MM X 12MM	1		1	SQUARE HEAD BOLT		
		1	BALL BEARING, .35 OD X 15 ID	1		1	BRAKE YOKE		
		1	BALL BEARING, .62 ID X 1.38 X .44	35	44090	1	DISC, BRAKE		
		1	ASSY DIFFERENTIAL (COMPLETE)	36	44143	1	KEY, HI-PRO 3/16 X 5/8 DIA		
		1	LH AXLE, 3/4 DIA.	38	44134	1	PLATE, PUCK		
		1	RH AXLE, 3/4 DIA.	39	44132	2	PUCK, BRAKE		
		2	MITER GEAR (SPUNED)	40	44433	1	BOLT, HEX W/PATCH 1/4-20 X 1.00 LG		
		2	HEX JAM NUT, 1/2-20	41	44123	4	BOLT, HEX SELF-TAP 1/4-20 X 2.00 LG		
		1	FLANGE BEARING, 3/4 ID X 7/8 OD	42	44124	4	BOLT, HEX SELF-TAP 1/4-20 X 3.00 LG		
		1	DIFFERENTIAL HOUSING	45	44083	1	SHAFT, PINION W/11 TOOTH GEAR		
		1	FLANGE BEARING, 3/4 ID X 1.0 OD	46	44080	1	SHAFT, DRIVE		
		1	DIFFERENTIAL GEAR	47	62760	1	ASSY REDUCTION GEAR		
		2	MITER GEAR, 1/2 ID	1		1	REDUCTION GEAR		
		1	CROSS SHAFT	1		1	NEEDLE BEARING		
		2	THRUST BEARING, 1/2 X 1 OD	1		1	DOWEL PIN		
		2	RETAINING RING	1		1	SEAL, 7/8 OD X 5/8 ID X 3/32		
		4	DIFFERENTIAL LOCKING BOLT	1		1	THRUST WASHER		
18	62771	1	ASSY INPUT PINION HSG	1		1	WASHER, FLAT .62 ID X 1.0 OD X .05 THK		
		1	INPUT SHAFT	1		1	WASHER, FLAT .62 ID X 1.0 OD X .03 THK		
		1	RETAINING RING #5100-62	49	44371	1	WASHER, FLAT .62 ID X 1.0 OD X .05 THK		
		1	RETAINING RING #5100-43	51	44084	4	COUPLING (HALF)		
		1	INPUT HOUSING	53	43178	1	NUT, HEX 1/4-20		
		1	NEEDLE BEARING	54	44079	1	GEAR, DRIVE PINION 17T		
		1	THRUST BEARING NTA-101B	57	43177	1	WASHER, 1/4" SPRING LOCK		
		2	THRUST RACE TRA-101B	58	44269	2	PIN, ROLL 3/16 DIA X 1/2 LG		
		1	KEY, HI-PRO	59	44125	1	WASHER, FLAT .62 ID X 1.0 OD X .03 THK		
		1	INPUT 17T PINION	62	44271	2	SCREW/STUD		
1	WASHER	71	44378	1	SEAL, GREASE				
1	NEEDLE BEARING (WITH SEAL)	72	50416	2	GREASE (10 OZ TUBE)				
25	44572	1	KEY, 1/8X 5/8 DIA	73	BDU10S-114	1	TRANSMISSION		
26	44122	3	SCREW, HEX W/PATCH 1/4-20 X 3/4 LG	74	2003081	1	RESERVOIR		
				75	44820	4	BOLT, 5/16-18 X 4-1/2		
				76	43083	2	HEX NUT, 5/16-18		
				80	50928	1	SEALANT		



P 2 of 2 70073-S7