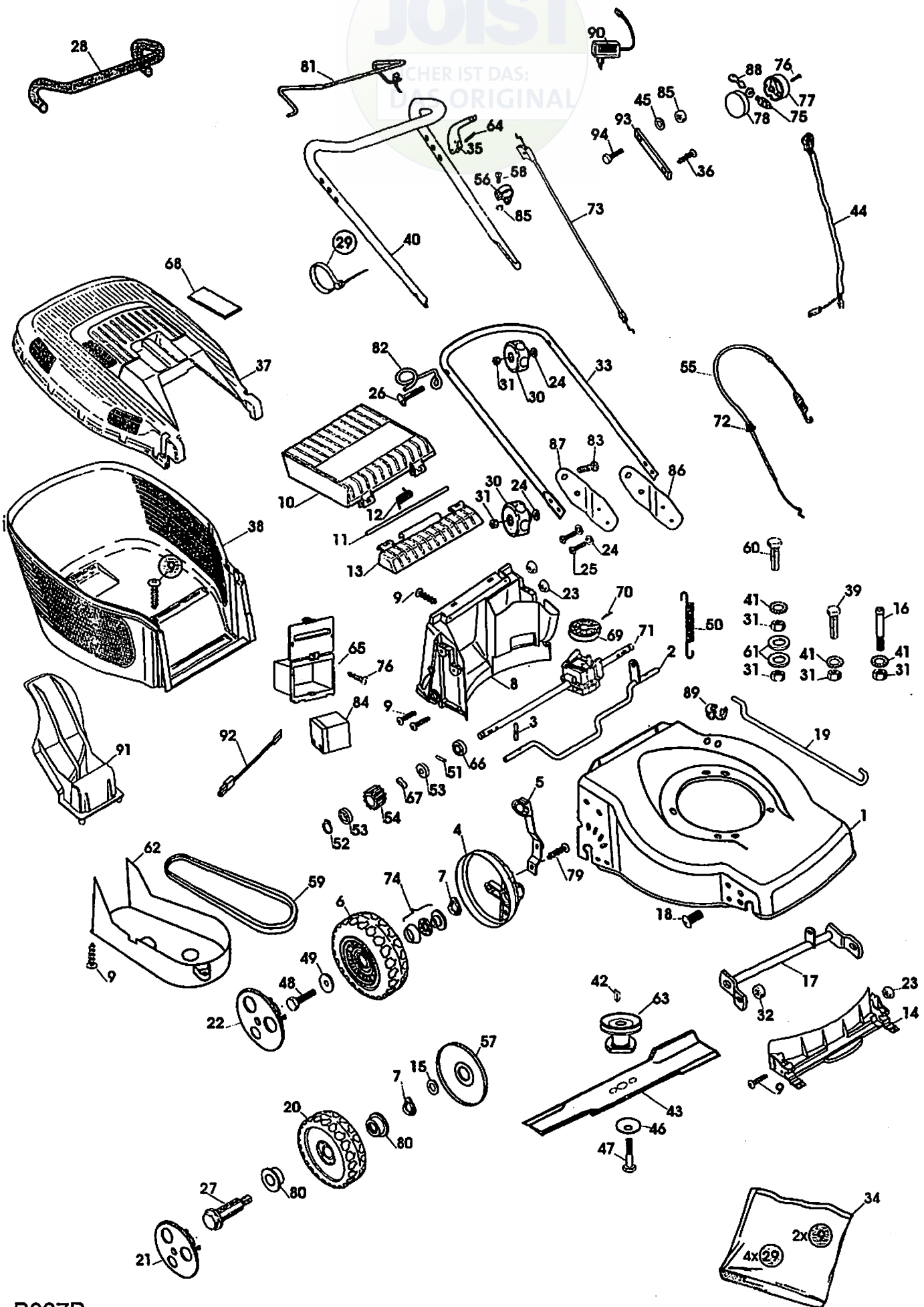




| Ausgabe Issue 2001-1 | | Bild Nr. Picture No B027B | | VARIOLUX 45 BCAE | | VARIOLUX 45 BCAE | | Seite Page 34 | |
|----------------------------|-----------------|---------------------------------|--|------------------------|----------------------------|----------------------------|-------------|---------------------|--|
| Pos. Fig. | Anzahl/Quantity | | | Artikel Nr. Part No | Bezeichnung | Description | Satz Kit | Anmerkung Notes | |
| | | | | | | | | | |
| | 1 | | | 1117-1216-02 | Chassie-rot | Chassis-red | | | |
| | 2 | 1 | | 1117-1173-01 | Hinterachse | Shaft-backside | | | |
| | 3 | 2 | | 9595-0212-00 | Spannstift | Locating pin | | | |
| X | 4 | 2 | | 1117-3256-01 | Raddeckel | Wheel protection cap | | | |
| | 5 | 1 | | 1117-1174-01 | Höheneinstellhebe | Height adjust lever | | | |
| | 6 | 2 | | 1111-2665-01 | Rad mit Kugellager | Wheel assy..... | | Inkl. 74 | |
| | 7 | 4 | | 9694-0003-00 | Scheibe | Washer..... | | | |
| | 8 | 1 | | 1117-3008-01 | Leitschiene-hintere | Baffle-rear | | | |
| | 9 | 14 | | 9836-9516-12 | Schraube | Screw..... | | | |
| | 10 | 1 | | 1117-1156-02 | Klappe-schwarz | Rear flap-black | | | |
| | 11 | 1 | | 1117-1143-01 | Achse..... | Shaft | | | |
| | 12 | 1 | | 1117-1126-01 | Feder | Spring-rear flap | | | |
| | 13 | 1 | | 1117-1155-02 | Klapphalterung-schw. | Flap holder-black | | | |
| | 14 | 1 | | 1117-3007-01 | Leitschiene-vordere | Baffle-front..... | | | |
| | 15 | 2 | | 9699-0078-02 | Scheibe..... | Washer..... | | | |
| | 16 | 1 | | 1117-1179-01 | Bolzen..... | Bolt | | | |
| | 17 | 1 | | 1117-1334-01 | Vorderachse | Front shaft..... | | | |
| | 18 | 2 | | 9865-0816-16 | Schraube | Screw..... | | | |
| | 19 | 1 | | 1117-1130-01 | Höheneinstellstange | Connection rod | | | |
| | 20 | 2 | | 1111-3163-01 | Rad..... | Wheel..... | | | |
| X | 21 | 2 | | 1111-2804-11 | Nabenkapsel-grau | Hub cap-grey | | | |
| X | 22 | 2 | | 1111-2815-11 | Nabenkapsel-grau | Hub cap-grey | | | |
| | 23 | 6 | | 1117-1131-01 | Mutter..... | Nut | | | |
| | 24 | 8 | | 9699-0028-02 | Scheibe | Flat washer..... | | | |
| | 25 | 4 | | 1117-1364-01 | Schraube | Screw..... | | | |
| | 26 | 2 | | 9898-0845-12 | Schraube | Screw..... | | | |
| | 27 | 2 | | 1111-3164-01 | Radbolzen..... | Wheel axle bolt..... | | | |
| | 28 | 1 | | 1117-3036-01 | • Griff | • Foam grip | | | |
| | 29 | 4 | | 9579-0008-00 | Kabelhalter | Cable holder | | | |
| | 30 | 4 | | 1117-3194-01 | Verriegelungsrad | Locking knob | | | |
| | 31 | 8 | | 9799-0831-02 | Mutter | Nut | | | |
| | 32 | 2 | | 9716-0831-02 | Mutter | Nut | | | |
| | 33 | 1 | | 1117-3034-01 | Führungsholm-Untert. | Handlebar-lower | | | |
| | 34 | 1 | | 1117-3028-01 | Montagesatz | Assy kit | | | |
| | 35 | 1 | | 1117-3221-01 | Regulierbügel | OPC lever | | | |
| | 36 | 1 | | 9836-9520-12 | Schraube | Screw..... | | | |
| | 37 | 1 | | 1117-1157-02 | Behälterdeckel-schwar..... | Grassbag cover-black..... | | Inkl. 68 | |
| | 38 | 1 | | 1117-1218-01 | Behälter-Unterteil..... | Lower grass bag | | | |
| | 39 | 1 | | 9997-0830-16 | Schraube | Screw..... | | | |
| | 40 | 1 | | 1117-3035-01 | Führungsholm-Obert. | Handlebar-upper | | Inkl. 28 | |
| | 41 | 3 | | 9678-0009-02 | Schloßscheibe | Lock washer | | | |
| | 42 | 1 | | 9600-0014-00 | Keil | Key..... | | | |
| | 43 | 1 | | 1111-9718-01 | Messer..... | Blade..... | | | |
| | 44 | 1 | | 1117-1254-01 | Kabelbündel..... | Harness..... | | | |
| | 45 | 1 | | 9699-0025-02 | Scheibe..... | Washer..... | | | |
| | 46 | 1 | | 1117-1065-01 | Tellerfeder..... | Spring washer | | | |
| | 47 | 1 | | 9987-5251-12 | Schraube | Screw..... | | | |
| | 48 | 2 | | 9997-0614-16 | Schraube | Screw..... | | | |
| | 49 | 2 | | 1117-1175-01 | Scheibe | Washer..... | | | |
| | 50 | 1 | | 1117-1120-01 | Feder | Spring | | | |
| | 51 | 2 | | 9591-0011-00 | Stift | Pin | | | |
| | 52 | 2 | | 1117-1083-01 | SchlieBring | Safety ring..... | | | |
| | 53 | 4 | | 1111-2830-01 | Stützscheibe | Support washer..... | | | |
| | 54 | 2 | | 1111-3075-01 | Zahnrad | Gear wheel | | | |
| | 55 | 1 | | 1117-1190-01 | Kupplungsdraht | Clutch cable | | Inkl. 72 | |
| | 56 | 1 | | 1117-1114-01 | Drahthalter | Support | | | |
| | 57 | 2 | | 1117-1161-01 | Radschutz..... | Wheel protection | | | |
| | 58 | 1 | | 9865-0616-16 | Schraube | Screw..... | | | |
| | 59 | 1 | | 1117-3017-01 | Keilriemen | V-belt | | | |
| | 60 | 1 | | 9997-0840-16 | Schraube | Screw..... | | | |
| | 61 | 2 | | 9699-0062-02 | Scheibe | Flat washer..... | | | |
| | 62 | 1 | | 1117-1147-01 | Riemenschutz..... | Transmission cap | | | |
| | 63 | 1 | | 1111-9716-01 | Messerhalterung..... | Blade holder | | | |

JOIST
WER IST DAS:
DAS ORIGINAL



B027B



| Ausgabe Issue | | Bild Nr. Picture No | | VARIOLUX 45 BCAE | VARIOLUX 45 BCAE | Seite Page | | |
|------------------|-----------------|------------------------|--|------------------------|------------------------|----------------------------|-------------|--------------------|
| 2001-1 | | B027B | | | | 36 | | |
| Pos. Fig. | Anzahl/Quantity | | | Artikel Nr. Part No | Bezeichnung | Description | Satz Kit | Anmerkung Notes |
| | | | | | | | | |
| X 64 | 1 | | | 9595-0258-00 | Spannstift | Locating pin | | |
| 65 | 1 | | | 1111-3339-01 | Batteriehalter | Battery holder | | |
| 66 | 2 | | | 9549-0053-00 | Kugellager | Ball bearing | | |
| 67 | 2 | | | 1111-2827-01 | Treibkeil | Drive key | | |
| 68 | 1 | | | 1117-1135-02 | . Deckel-schwarz | . Cover-black | | |
| 69 | 1 | | | 1117-3018-01 | . Riemenscheibe | . Pulley | | |
| 70 | 1 | | | 1111-2382-01 | . Stift | . Pin | | |
| 71 | 1 | | | 1117-3016-01 | Getriebe | Gera box assy | | |
| 72 | 1 | | | 1117-1180-01 | . Kabelhalter | . Cable fixation | | |
| 73 | 1 | | | 1117-1183-01 | Motorbremsdraht | Engine brake cable | | |
| 74 | 1 | | | 1111-9047-01 | . Kugellagersatz | . Ball bearing kit | | |
| 75 | 1 | | | 9400-0186-00 | Zündschloß | Starting switch assy | | |
| 76 | 2 | | | 9836-9216-12 | Schraube | Screw | | |
| 77 | 1 | | | 1111-2020-01 | Gehäuse | Housing | | |
| 78 | 1 | | | 1111-2021-01 | Deckel | Cover | | |
| 79 | 2 | | | 9836-9512-12 | Schraube | Screw | | |
| 80 | 4 | | | 9549-0053-00 | Kugellager | Ball bearing | | |
| 81 | 1 | | | 1117-1374-01 | Bügel | Control handle | | |
| 82 | 1 | | | 1117-1116-01 | Schnurhalter | Ropeholder | | |
| 83 | 2 | | | 9898-0835-12 | Schraube | Screw | | |
| X 84 | 1 | | | 9400-0291-01 | Batterie | Battery | | |
| 85 | 1 | | | 9799-0631-02 | Mutter | Nut | | |
| 86 | 1 | | | 1117-1340-01 | Halter-links | Handle support-L.H. | | |
| 87 | 1 | | | 1117-1341-01 | Halter-rechts | Handle support-R.H. | | |
| 88 | 1 | | | 1134-2848-01 | Zündschlüssel | Ignition key | | |
| 89 | 1 | | | 1117-1180-01 | Kabelhalter | Cable fixation | | |
| 90 | 1 | | | 9400-0219-00 | Ladegerät | Charger | | |
| 91 | 1 | | | 1117-3001-01 | Mulcherpropfen | Mulch plug | | |
| X 92 | 1 | | | 1117-3282-01 | Batteriekabel | Battery cable | | |
| X 93 | 1 | | | 1117-3281-01 | Stütze | Support | | |
| 94 | 1 | | | 9997-0640-12 | Schraube | Screw | | |

Inkl. 69 + 70