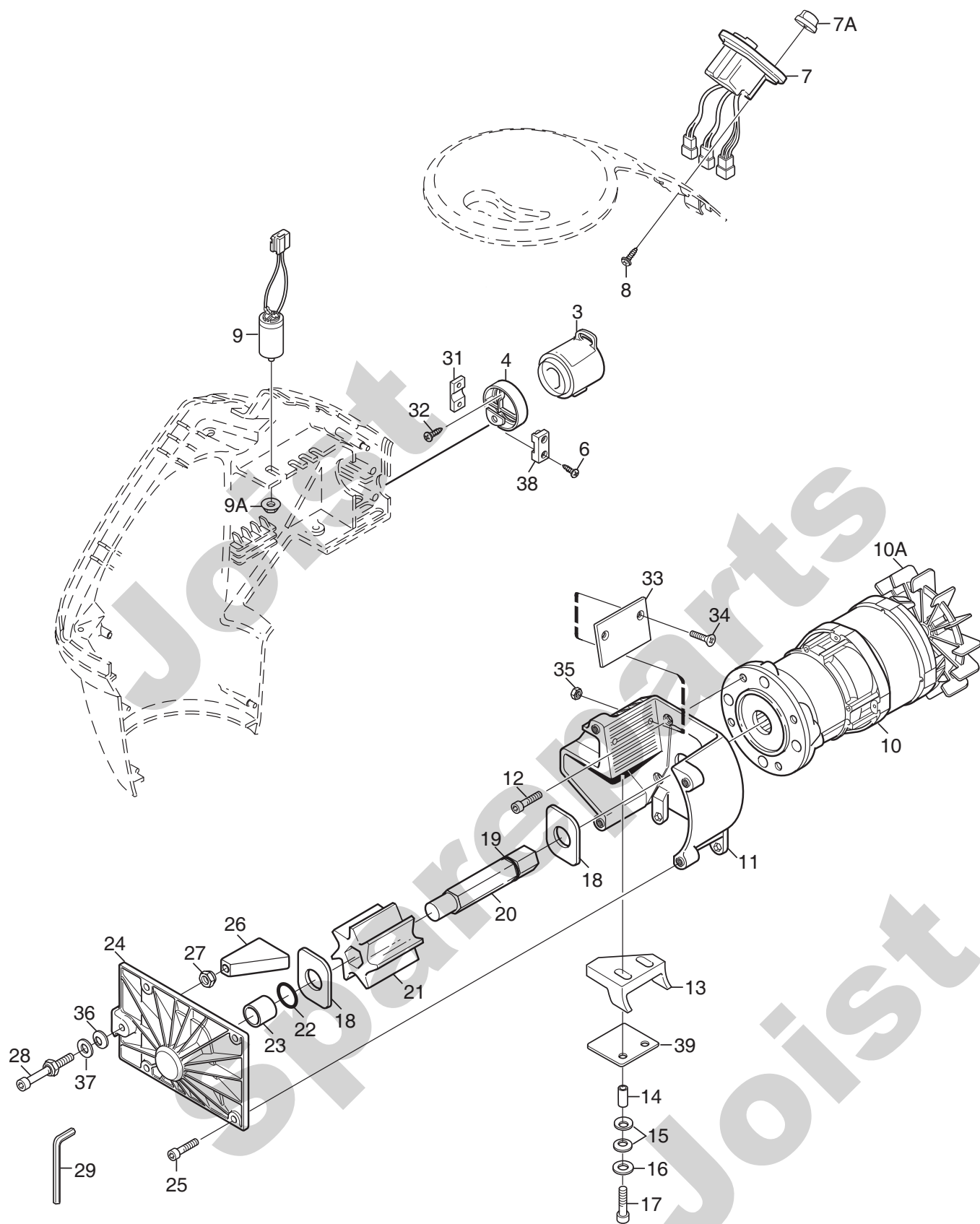


B075A



Ausgabe Issue 2004- 1		Bild Nr Picture No B075A		VARIOLUX HÄCKSLER CHASSIE		VARIOLUX SHREDDER CHASSIS		Seite Page 102	
Pos. Fig.	Anzahl/Quantity				Artikel Nr. Part No	Bezeichnung	Description	Satz Kit	Anmerkung Notes
1	1				1717-0352-01	Beine- links .....	Leg- LH .....		
2	1				1717-0352-02	Beine- rechts.....	Leg- RH.....		
3	2				1717-0373-01	Plastikpropfen .....	End cap .....		
4	1				1717-0354-01	Radachse.....	Wheel axle.....		
5	1				1717-0355-01	Rohr .....	Tube .....		
6	4				9699-0035-02	Scheibe.....	Flat washer.....		
7	2				1717-0369-01	Raddeckel.....	Wheel cover .....		
8	4				1717-0350-01	Radbuchse.....	Wheel bush .....		
9	2				1717-0356-01	Radhülse .....	Wheel spacer .....		
10	2				1717-0347-01	Rad .....	Wheel .....		
11	2				9747-0831-02	Mutter.....	Lock nut.....		
12	2				1717-0348-02	Radkappe- rot .....	Hub cap- red .....		
13	4				9939-0840-12	Schraube .....	Screw.....		
14	4				9699-0035-02	Scheibe.....	Flat washer.....		
15	1				1717-0357-01	Motorplatte.....	Motor plate .....		
16	2				9997-0616-16	Schraube .....	Screw.....		
18	2				9747-0631-02	Mutter .....	Lock nut.....		
19	1				9997-0612-16	Schraube .....	Screw.....		
20	1				9699-0060-02	Scheibe.....	Flat washer.....		
21	1				1717-0360-01	Motorhalterung- vorder .....	Motor bracket- front .....		
24	1				1717-0364-01	Holm.....	Handle.....		
25	2				9939-0835-16	Schraube .....	Screw.....		
26	2				9699-0090-02	Scheibe.....	Flat washer.....		
27	2				1717-0365-01	Plastikscheibe.....	Plastic washer .....		
28	2				1717-0366-01	Isolierscheibe .....	Insulation washer.....		
29	2				1717-0367-01	Distanz.....	Spacer .....		
30	1				1717-0338-02	Gehäuse, links- rot.....	Housing, LH- red .....		
31	1				1717-0339-02	Gehäuse, rechts- rot .....	Housing, RH- red .....		
32	5				1717-0377-01	Schraube .....	Screw.....		
33	2				1717-0378-01	Schraube .....	Screw.....		
34	2				9997-0612-16	Schraube .....	Screw.....		
35	2				9699-0060-02	Scheibe.....	Flat washer.....		
36	1				1717-0340-02	Vordergehäuse- rot.....	Front cap- red.....		
37	4				1717-0377-01	Schraube .....	Screw.....		
38	4				9699-0021-02	Scheibe.....	Washer.....		
39	1				1717-0370-01	Deckel .....	Cover .....		
40	1				1717-0342-01	Astführung- schwarz.....	Branch guide- black.....		
41	4				1717-0377-01	Schraube .....	Screw.....		
42	1				1717-0341-01	Paneldeckel- grau .....	Panel cap- grey .....		
43	1				1717-0372-01	Halter- Schlüssel.....	Holder- wrench.....		
X 45	1				1717-0406-01	Trichter .....	Funnel .....		
46	4				1717-0378-01	Schraube .....	Screw.....		
47	4				9699-0024-02	Scheibe.....	Flat washer.....		
X 49	1				1717-0405-01	Haltering .....	Bracket.....		
50	2				9939-0840-12	Schraube .....	Screw.....		
51	2				9699-0035-02	Scheibe.....	Flat washer.....		
52	1				9939-0816-16	Schraube .....	Screw.....		
53	1				9699-0035-02	Scheibe.....	Flat washer.....		



B076A



Ausgabe Issue 2004- 1		Bild Nr Picture No B076A		VARIOLUX HÄCKSLER EL. AUSSTATTUNG SCHNEIDSYSTEM		VARIOLUX SHREDDER EL. EQUIPMENT CUTTER		Seite Page 104	
Pos. Fig.	Anzahl/Quantity				Artikel Nr. Part No	Bezeichnung	Description	Satz Kit	Anmerkung Notes
	3	1			1717-0379-01	Anschlußkontakt .....	Connection plug .....		die Schweiz
	3	1			1717-0380-01	Anschlußkontakt .....	Connection plug .....		
	4	1			1717-0371-01	Adapter .....	Adaptor .....		
	6	2			1717-0377-01	Schraube .....	Screw .....		
	7	1			1717-0381-01	Schalter Kpl .....	Switch assy .....		
	7A	1			1717-0345-01	• Richtungsknopf .....	• Direction button .....		
	8	4			1717-0382-01	Schraube .....	Screw .....		
X	9	1			1717-0408-01	Kondensator .....	Condensor .....		
	9A	1			9739-0831-22	• Mutter .....	• Nut .....		
	10	1			1717-0383-01	Elmotor Kpl.....	Electric motor assy .....		
	10A	1			1717-0384-01	• Ventilator .....	• Cooling fan .....		
	11	1			1717-0385-01	Schneidgehäuse .....	Cutting chamber .....		
	12	4			9939-0820-16	Schraube .....	Screw .....		
	13	1			1717-0386-01	Schneidplatte .....	Cutting plate .....		
	14	2			1717-0374-01	Distanz .....	Spacer .....		
	15	4			9665-0004-01	Federscheibe .....	Spring washer .....		
	16	2			9699-0035-02	Scheibe .....	Flat washer .....		
	17	2			9997-0840-16	Schraube .....	Screw .....		
	18	2			1717-0387-01	Distanzplatte .....	Spacer plate .....		
	19	1			1717-0388-01	O- ring .....	O- ring .....		
	20	1			1717-0389-01	Achse .....	Shaft .....		
	21	1			1717-0390-01	Schneidwalze .....	Cutter .....		
	22	1			1717-0391-01	O- ring .....	O- ring .....		
	23	1			1717-0392-01	Lagerbuchse .....	Bearing bush .....		
	24	1			1717-0393-01	Schneidgehäusedeckel .....	Cutting chamber cover .....		
	25	4			9939-0820-16	Schraube .....	Screw .....		
	26	1			1717-0394-01	Justierkeil .....	Adjusting wedge .....		
	27	1			9747-0831-02	Mutter .....	Lock nut .....		
	28	1			1717-0395-01	Einstellschraube .....	Adjusting screw .....		
X	29	1			1717-0409-01	Sechskantschlüssel .....	Allen wrench .....		
	31	1			1717-0398-01	Zugentlaster- untere .....	Cable restrainer- lowe .....		
	32	1			1717-0399-01	Schraube .....	Screw .....		
	33	1			1717-0401-01	Platte .....	Plate .....		
	34	2			9924-0616-16	Schraube .....	Screw .....		
	35	2			9747-0631-02	Mutter .....	Lock nut .....		
	36	1			9665-0004-01	Federscheibe .....	Spring washer .....		
	37	1			9699-0056-02	Scheibe .....	Flat washer .....		
	38	1			1717-0400-01	Kontaktentlaster .....	Connector restrainer .....		
	39	1			1717-0407-01	Platte .....	Plate .....		