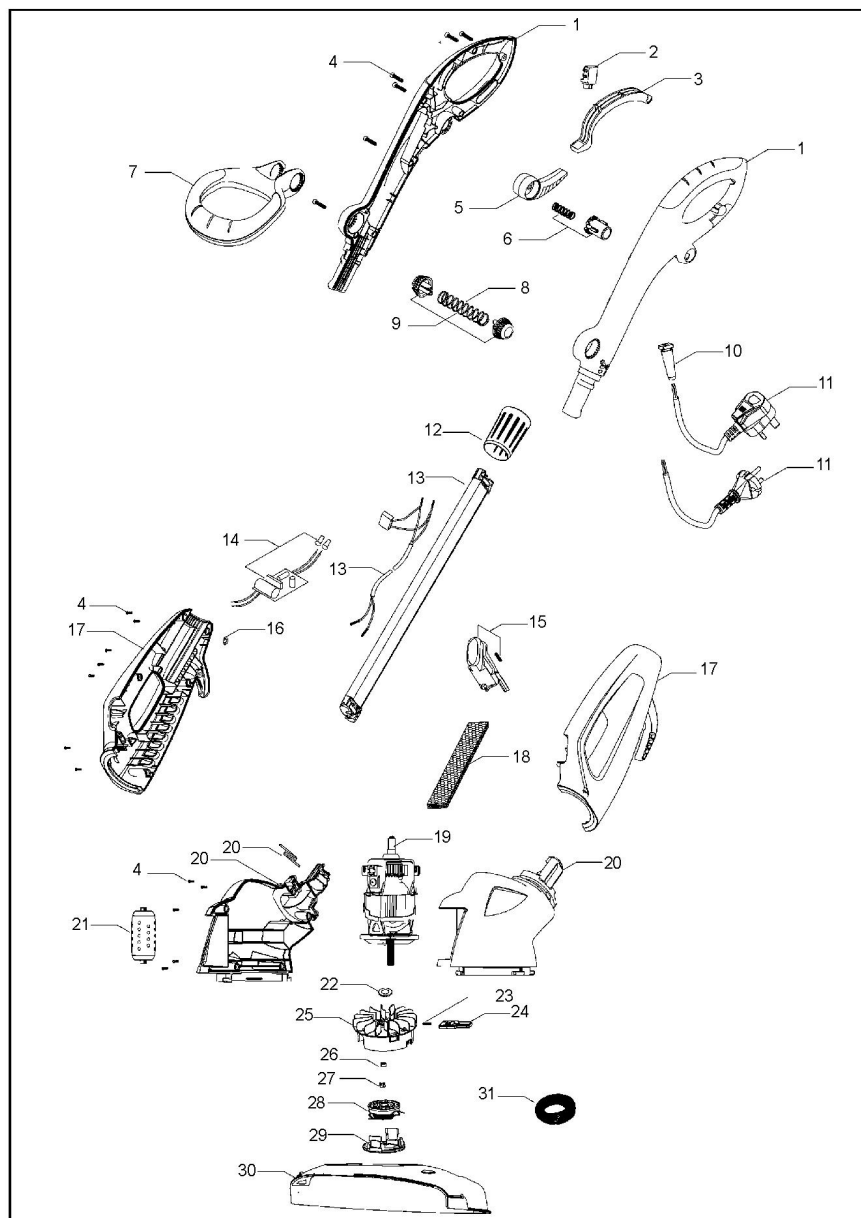


# POWER TRIM 600 HD, 966953662,966953601, 2009-06



PRODUKT KOMPLETT



| Ref | Part No.     | Description                    | QTY | KIT |
|-----|--------------|--------------------------------|-----|-----|
| 1   | 574 39 35-01 | SATZ                           | 1   |     |
| 2   | 521 95 12-01 | SCHALTER Z.PROFI 1000 U.LAUBS. | 1   |     |
| 3   | 510 73 05-00 | HEBELARM                       | 1   |     |
| 4   | 521 95 16-01 | GEWINDESTIFT                   | 2   |     |
| 5   | 521 95 14-01 | HAKEN                          | 1   |     |
| 6   | 521 95 13-01 | KABEL                          | 1   |     |
| 7   | 574 39 41-01 | SATZ                           | 1   |     |
| 8   | 504 63 24-01 | FEDER                          | 1   |     |
| 9   | 504 63 07-01 | KNOPF KPL.                     | 1   |     |
| 10  | 514 93 70-00 | SCHUTZ                         | 1   |     |
| 11  | 512 72 51-20 | KABEL                          | 1   |     |
| 11  | 511 97 11-00 | EXTNSN CABLE MLD PLUG EURO     | 1   |     |
| 12  | 504 63 30-01 | VERRIEGELUNGSANSATZ            | 1   |     |
| 13  | 521 95 10-01 | KURBELWELLE                    | 1   |     |
| 14  | 574 39 38-01 | SATZ                           | 1   |     |

| <b>Ref</b> | <b>Part No.</b> | <b>Description</b> | <b>QTY</b> | <b>KIT</b> |
|------------|-----------------|--------------------|------------|------------|
| 15         | 521 95 07-01    | BLECH              | 1          |            |
| 16         | 504 63 17-01    | SCHEIBE            | 1          |            |
| 17         | 574 39 36-01    | SATZ               | 1          |            |
| 18         | 521 95 08-01    | FILTER             | 1          |            |
| 19         | 574 39 39-01    | SATZ               | 1          |            |
| 20         | 521 95 03-01    | MOTORGEHÄUSE       | 1          |            |
| 21         | 521 95 17-01    | ROLLE              | 1          |            |
| 22         | 514 02 66-00    | SCHEIBE            | 1          |            |
| 23         | 514 89 40-00    | FEDER              | 1          |            |
| 24         | 510 08 59-01    | FEEDER LINE        | 1          |            |
| 25         | 574 39 40-01    | SATZ               | 1          |            |
| 26         | 514 86 83-00    | MUTTER             | 1          |            |
| 27         | 514 86 31-00    | STOPFEN            | 1          |            |
| 28         | 510 24 59-90    | SPOOL & LINE       | 1          |            |
| 29         | 512 82 50-87    | DECKEL             | 1          |            |
| 30         | 510 73 68-87    | SCHUTZ             | 1          |            |
| 31         | 531 02 40-13    | TRIMMERFADEN       | 1          |            |